

Features

- 10 WATT DIL PACKAGE
- 4:1 WIDE INPUT VOLTAGE
- EFFICIENCY TO 84%
- PI INPUT FILTER
- 100% BURNED IN
- UL 94V-0 PACKAGE MATERIAL
- CUSTOMIZED SOLUTIONS AVAILABLE
- REGULATED OUTPUT TYPE



**10 Watt DC/DC
Converter**

WIDE INPUT VOLTAGE RANGE

10 WATT DC-DC CONVERTER

Input Specifications

Input Voltage	:48Vdc	
Input Voltage Range	:18~75Vdc	
Under voltage shut down (lock-out circuit)	:16.0 Vdc Typ	
Remote ON/OFF	:Open or 0~1.2Vdc(DC/DC ON)	@Negative logic (Standard)
	:Short or 2.2~12Vdc(DC/DC OFF)	(Refer to -Vin PIN)
	:-0.5 ~ +0.5 mA	@Input current of Remote ON/OFF pin
	:3 mA TYP	@Remote off input current

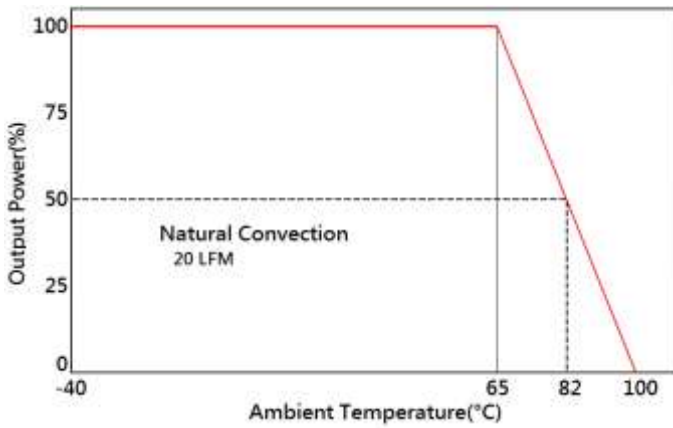
Output Specifications

Output Voltage	:15Vdc	
Output Voltage Accuracy	:±2%	@14.7~15.3Vdc @Vin=18~75Vdc
Output Current	:670mA	
Efficiency	:84% TYP	@Vin=48Vdc
Ripple / Noise	:100mVp-p MAX	@20MHz Bandwidth
Short Circuit Protection	:Continuous	@Hiccup, auto-recovery
Line Regulation	:±0.5% MAX	@Full Load
Load Regulation	:±0.5% MAX	@25% TO 100% load

General Specifications

Operating Temperature Range	:-40°C ~ +82°C (with derating)	Output load derate 2.86% per degree Celsius above 65°C as refer to temperature derating graph.
Storage Temperature	:-55°C ~ +125°C	
Switching Frequency	:300KHz TYP	
Humidity	:95% MAX	
Isolation Voltage	:5000Vac	
Isolation Resistance	:1000M Ω MIN	
Cooling	:Natural Convection	@20LFM
MTBF	:>=900000 Hours	MIL-HDBK-217F @25°C, Ground Benign.
Case Material	: Plastic case	
Weight	:13.5 g TYP	
Conducted Emission	:EN55011 CLASS A	
Radiated Emission	:EN55011 CLASS A	

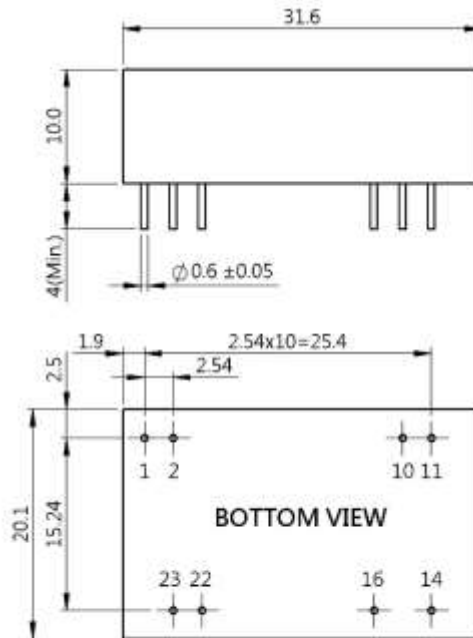
Temperature Derating Graph **Part Number**



68DW10- **48** **S** **15** **R** **M**
A **B** **C** **D** **E** **F**

- A: Series**
- B: Input Voltage**
- C: Single Output**
- D: Output Voltage**
- E: Regulated(R)**
- F: Medical Application**

Outline Dimensions

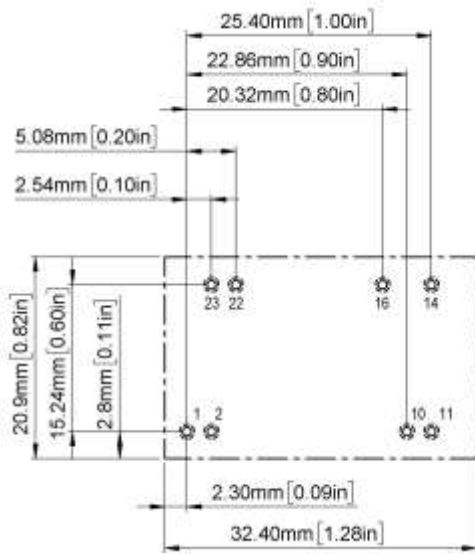


Unit : mm
 Tolerance : XX.X ±0.5 , XX.XX ±0.25

PIN Assignment

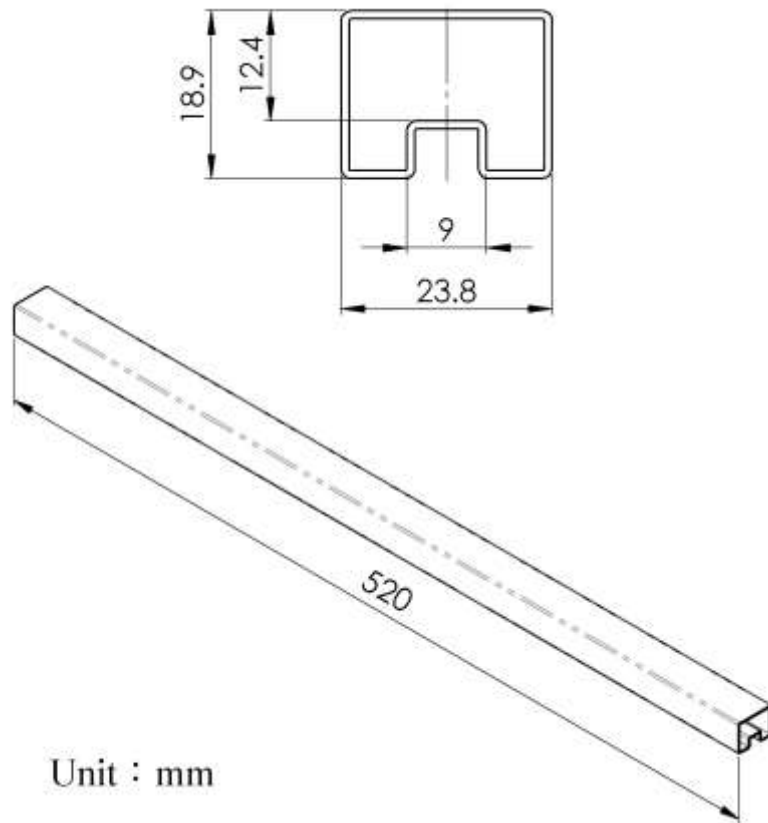
PIN	1	2	10	11	14	16	22	23
FUNCTION	Remote ON/OFF	-Vin	Trim	No pin	+Vout	-Vout	+Vin	+Vin

Recommended Pad Layout



Pad Size (lead free recommended) :
 Through hole 1,2,10,11,14,16,22,23 : \varnothing 0.9mm[0.035in]
 Top view pad 1,2,10,11,14,16,22,23 : \varnothing 1.13mm[0.044in]
 Bottom view pad 1,2,10,11,14,16,22,23 : \varnothing 1.80mm[0.071in]

Packing Formation



Unit : mm

Weight	: 13.5 grams/pcs
TUBE	: 15 pcs