

**Features**

- 15 WATT DIL PACKAGE
- EFFICIENCY TO 88%
- PI INPUT FILTER
- 100% BURNED IN
- UL 94V-0 PACKAGE MATERIAL
- CUSTOMIZED SOLUTIONS AVAILABLE
- REGULATED OUTPUT TYPE
- Remote Control: On/Off



**15 Watt DC/DC  
Converter**

WIDE INPUT VOLTAGE RANGE

15 WATT DC-DC CONVERTER

**Input Specifications**

Input Voltage	:24Vdc
Input Voltage Range	:9~36Vdc

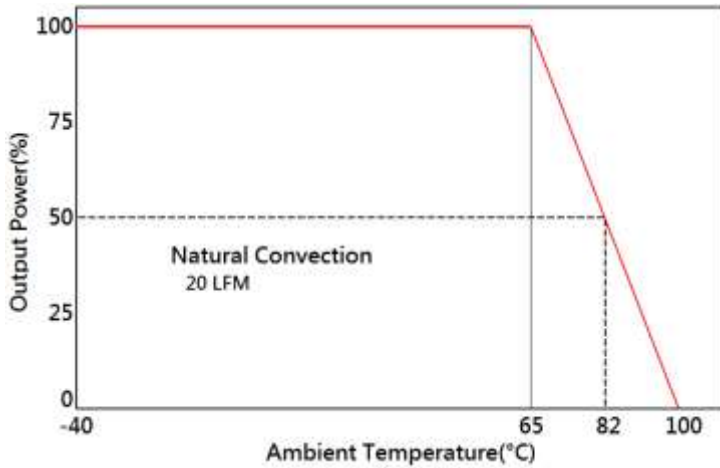
**Output Specifications**

Output Voltage	:±15Vdc	
Output Voltage Accuracy	:±2%	@±14.7~±15.3Vdc @Vin=9~36Vdc
Output Current	:±500mA	
Efficiency	:88% TYP	@Vin=24Vdc
Ripple / Noise	:100mVp-p MAX	@20MHz Bandwidth
Short Circuit Protection	:Continuous	@Hiccup, auto-recovery
Line Regulation	:±0.5% MAX	@LL TO HL , Full Load
Load Regulation	:±5.0% MAX	@25%F.L TO 100%F.L

**General Specifications**

Operating Temperature Range	: -40°C ~ +82°C (with derating)	Output load derate 2.86% per degree Celsius above 65°C as refer to temperature derating graph.
Storage Temperature	: -55°C ~ +125°C	
Switching Frequency	: 400KHz TYP	
Humidity	: 95% MAX	
Isolation Voltage	: 1500Vdc	
Isolation Resistance	: 1000MΩ MIN	
Cooling	: Natural Convection	@20LFM
MTBF	: ≥560000 Hours	MIL-HDBK-217F@25°C, Ground Benign.
Case Material	: Six-side shielded case	
Weight	: 16.5g TYP	

**Temperature Derating Graph**

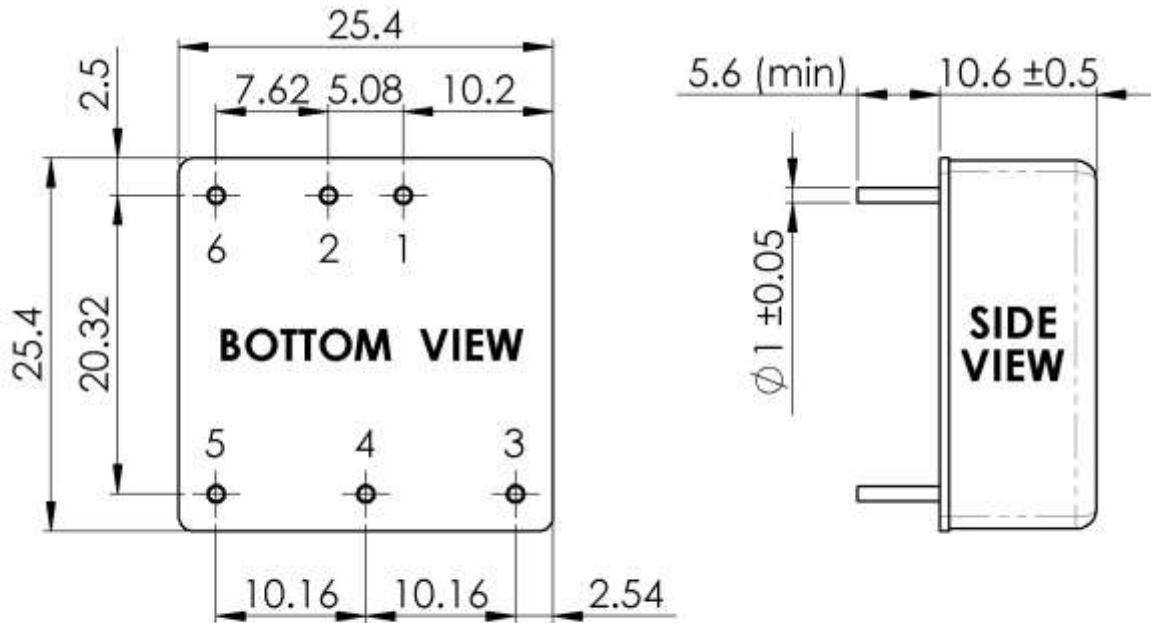


**Part Number**

**68DW15- 24 D 15 R NL**  
**A B C D E F**

- A: Series**
- B: Input Voltage**
- C: Dual Output**
- D: Output Voltage**
- E: Regulated(R)**
- F: RoHs Version**

**Outline Dimensions**

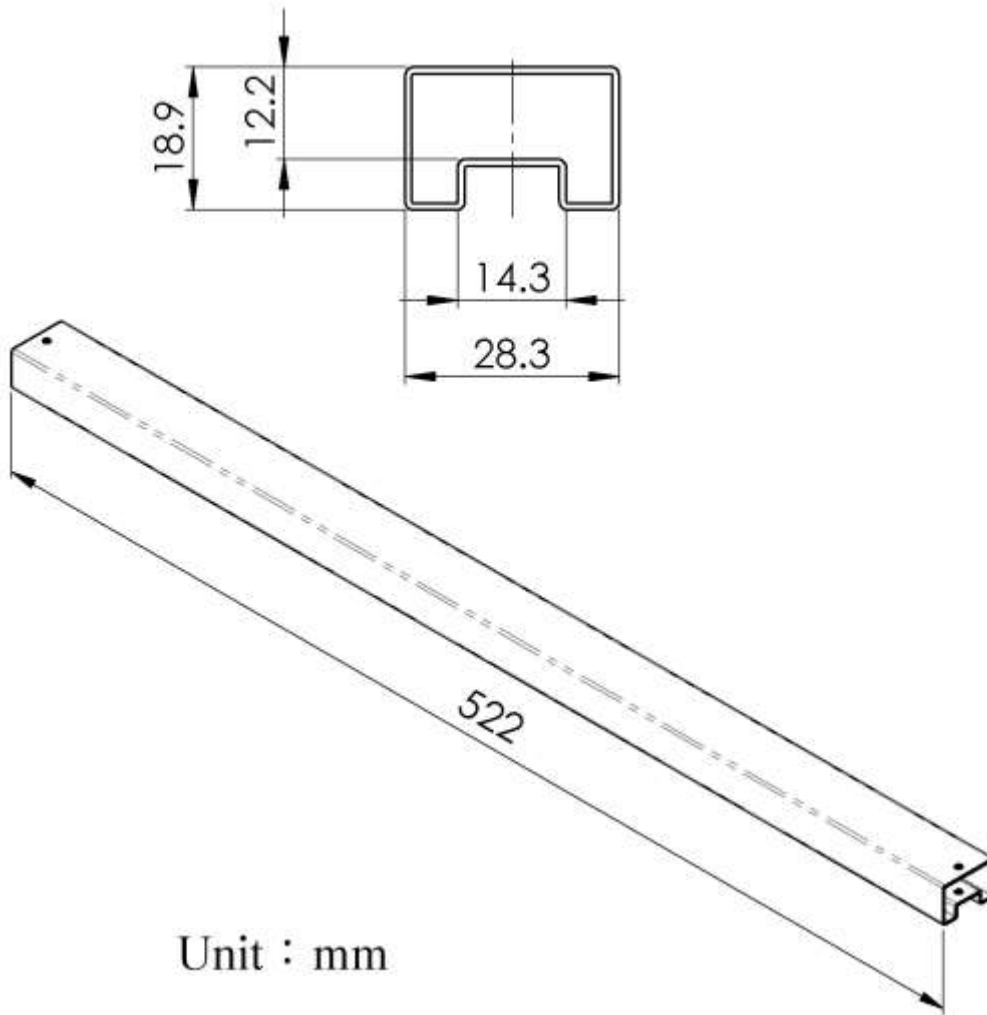


Unit : mm  
 Tolerance : XX.X ± 0.5 , XX.XX ± 0.25

**PIN Assignment**

PIN	1	2	3	4	5	6
<b>FUNCTION</b>	+Vin	-Vin	+Vout	COM	-Vout	Remote On/Off

## Packing Formation



<b>Weight</b>	<b>: 16.5 grams/pcs</b>
<b>TUBE</b>	<b>: 19 pcs</b>