

Features

- 15 WATT DIL PACKAGE
- 2:1 WIDE INPUT VOLTAGE
- EFFICIENCY TO 88%
- PI INPUT FILTER
- 100% BURNED IN
- UL 94V-0 PACKAGE MATERIAL
- CUSTOMIZED SOLUTIONS AVAILABLE
- REGULATED OUTPUT TYPE



**15 Watt DC/DC
Converter**

WIDE INPUT VOLTAGE RANGE
15 WATT DC-DC CONVERTER

Input Specifications

Input Voltage	:48Vdc
Input Voltage Range	:18~75Vdc

Output Specifications

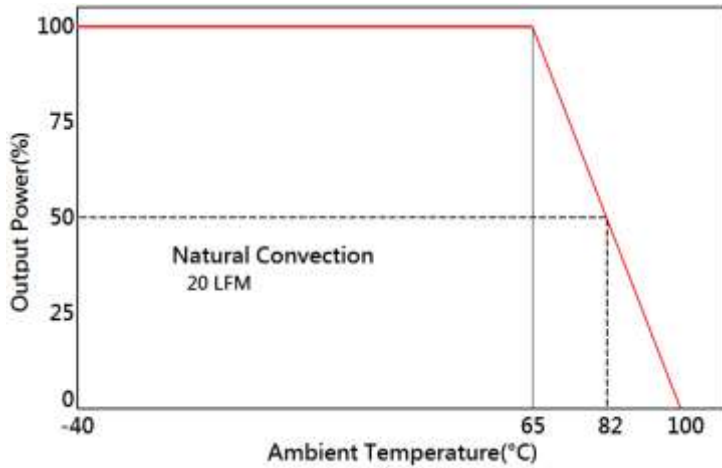
Output Voltage	:±12Vdc	
Output Voltage Accuracy	:±2%	@±11.76~12.24Vdc @Vin=18~75V
Output Current	:±625mA	
Efficiency	:88% TYP	@Vin=48Vdc
Ripple / Noise	:100mVp-p MAX	@20MHz Bandwidth
Short Circuit Protection	:Continuous	@Hiccup, auto-recovery
Line Regulation	:±0.5% MAX	@LL TO HL , Full Load
Load Regulation	:±5.0% MAX	@1/4FL TO 100%FL

General Specifications

Operating Temperature Range	:-40°C ~ +82°C (with derating)	Output load derate 2.86% per degree Celsius above 65°C as refer to temperature derating graph.
Storage Temperature	:-55°C ~ +125°C	
Switching Frequency	:400KHz TYP	
Humidity	:95% MAX	
Isolation Voltage	:1500Vdc	
Isolation Resistance	:1000MΩ MIN	
Cooling	:Free air convection	
MTBF	:>=560000 Hours	MIL-HDBK-217F@25°C,Ground Benign.
Case Material	:Six-side shield case	
Weight	:16.5g TYP	
Conducted Emissions	:EN55022 Class A	
Radiated Emissions	:EN55022 Class A	

Temperature Derating Graph

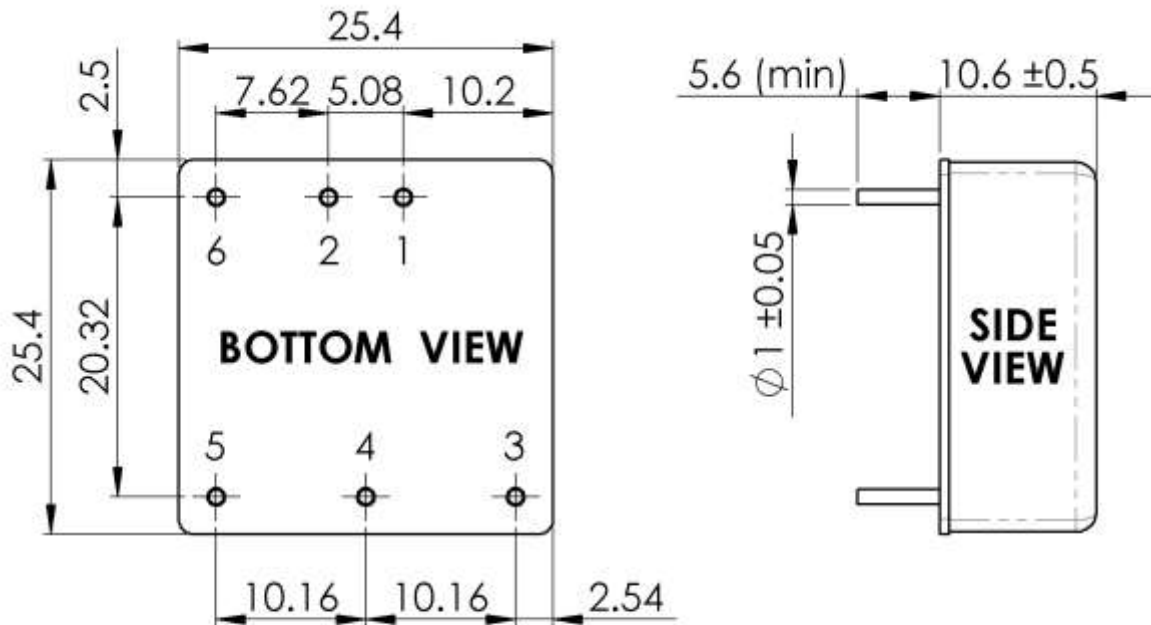
Part Number



68DW15- **48** **D** **12** **R** **NL**
A **B** **C** **D** **E** **F**

- A: Series**
- B: Input Voltage**
- C: Single Output**
- D: Output Voltage**
- E: Regulated(R)**
- F: RoHs Version**

Outline Dimensions

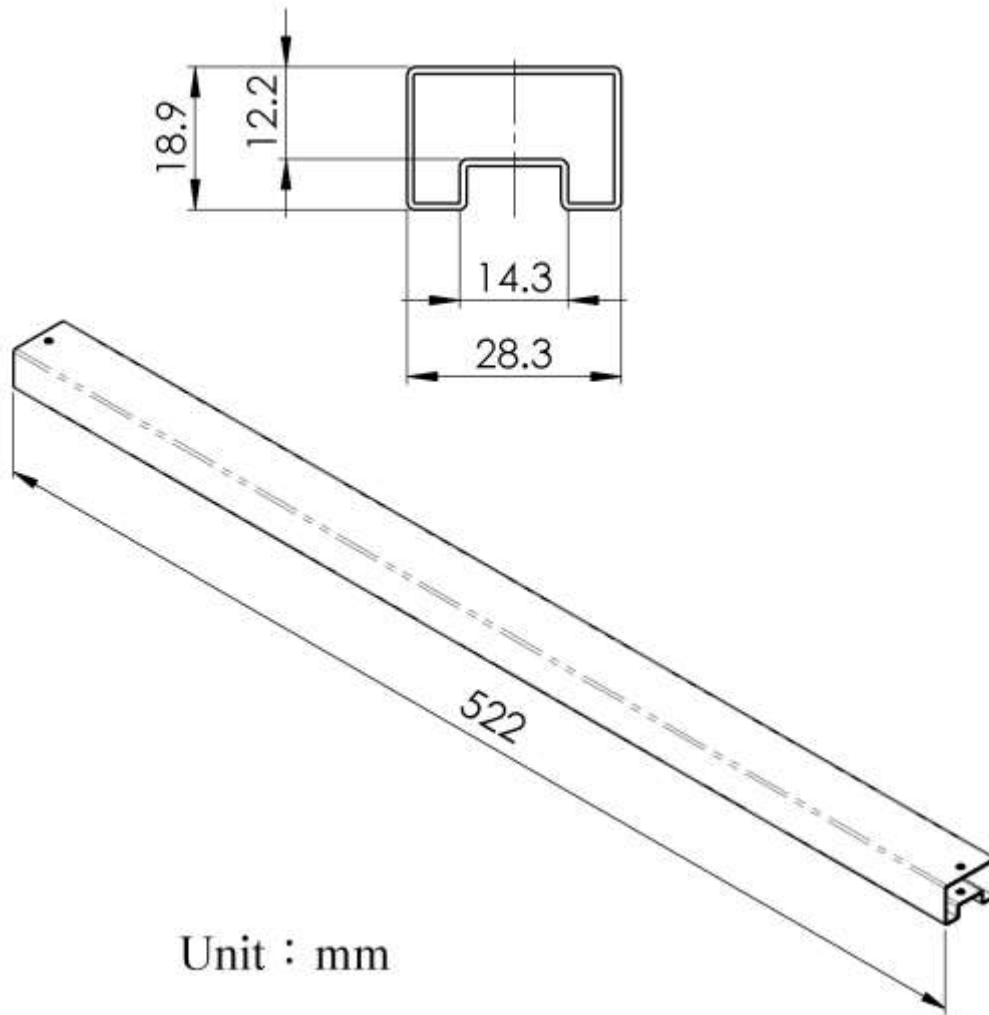


Unit : mm
 Tolerance : XX.X ± 0.5 , XX.XX ± 0.25

PIN Assignment

PIN	1	2	3	4	5	6
FUNCTION	+Vin	-Vin	+Vout	COM	-Vout	Remote On/Off

Packing Formation



Unit : mm

Weight	: 16.5 grams/pcs
TUBE	: 19 pcs