

Features

- 15 WATT DIL PACKAGE
- EFFICIENCY TO 88%
- PI INPUT FILTER
- 100% BURNED IN
- UL 94V-0 PACKAGE MATERIAL
- CUSTOMIZED SOLUTIONS AVAILABLE
- REGULATED OUTPUT TYPE
- Remote Control: On/Off



**15 Watt DC/DC
Converter**

WIDE INPUT VOLTAGE RANGE

15 WATT DC-DC CONVERTER

Input Specifications

| | | |
|--|-------------------------------|-------------------------------------|
| Input Voltage | :48Vdc | |
| Input Voltage Range | :18~75Vdc | |
| Under voltage shut down (lock-out circuit) | :16.0 Vdc Typ | |
| Remote ON/OFF | :Open or 3~12Vdc(DC/DC ON) | @Positive logic (Standard) |
| | :Short or 0~1.2Vdc(DC/DC OFF) | (Refer to -Vin PIN) |
| | : -0.5 ~ +0.5 mA | @Input current of Remote ON/OFF pin |
| | :3 mA TYP | @Remote off input current |

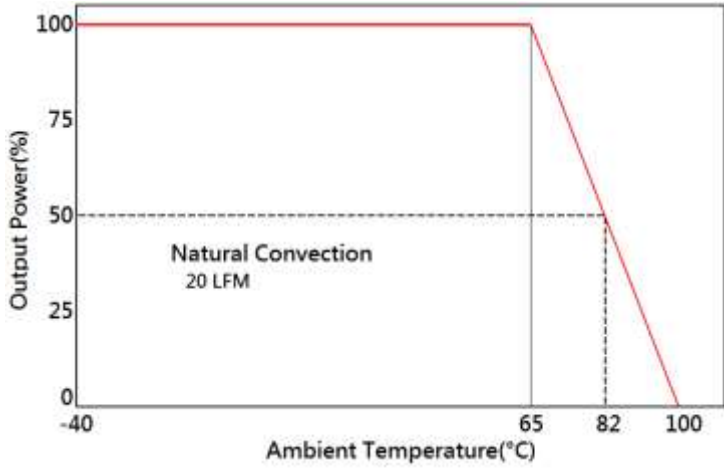
Output Specifications

| | | |
|--------------------------|---------------|-----------------------------|
| Output Voltage | :15Vdc | |
| Output Voltage Accuracy | :±2% | @14.7~15.3Vdc @Vin=18~75Vdc |
| Output Current | :1000mA | |
| Efficiency | :88% TYP | @Vin=48Vdc |
| Ripple / Noise | :100mVp-p MAX | @20MHz Bandwidth |
| Short Circuit Protection | :Continuous | @Hiccup, auto-recovery |
| Line Regulation | :±0.5% MAX | @ Full Load |
| Load Regulation | :±0.5% MAX | @25% TO 100% Load |

General Specifications

| | | |
|-----------------------------|---------------------------------|--|
| Operating Temperature Range | : -40°C ~ +82°C (with derating) | Output load derate 2.86% per degree Celsius above 65°C as refer to temperature derating graph. |
| Storage Temperature | : -55°C ~ +125°C | |
| Switching Frequency | : 400KHz TYP | |
| Humidity | : 95% MAX | |
| Isolation Voltage | : 1500Vdc | |
| Isolation Resistance | : 1000MΩ MIN | |
| Cooling | : Natural Convection | @20LFM |
| MTBF | : ≥560000 Hours | MIL-HDBK-217F@25°C, Ground Benign. |
| Case Material | : Copper | |
| Weight | : 16.5g TYP | |

Temperature Derating Graph

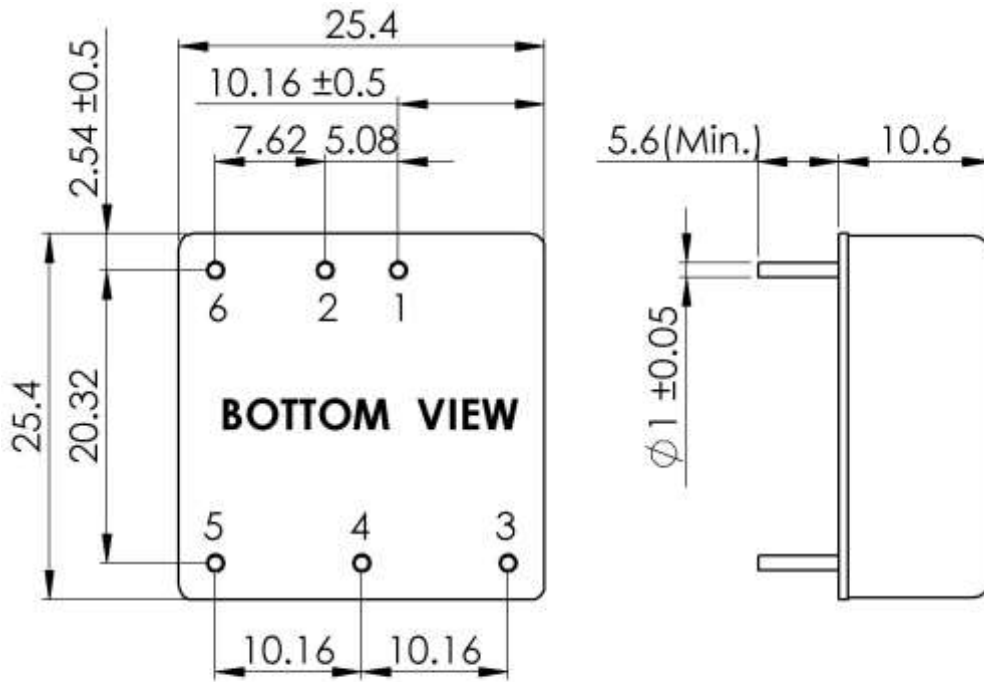


Part Number

68DW15- 48 S 15 R NL
A B C D E F

- A: Series**
- B: Input Voltage**
- C: Single Output**
- D: Output Voltage**
- E: Regulated(R)**
- F: RoHs Version**

Outline Dimensions

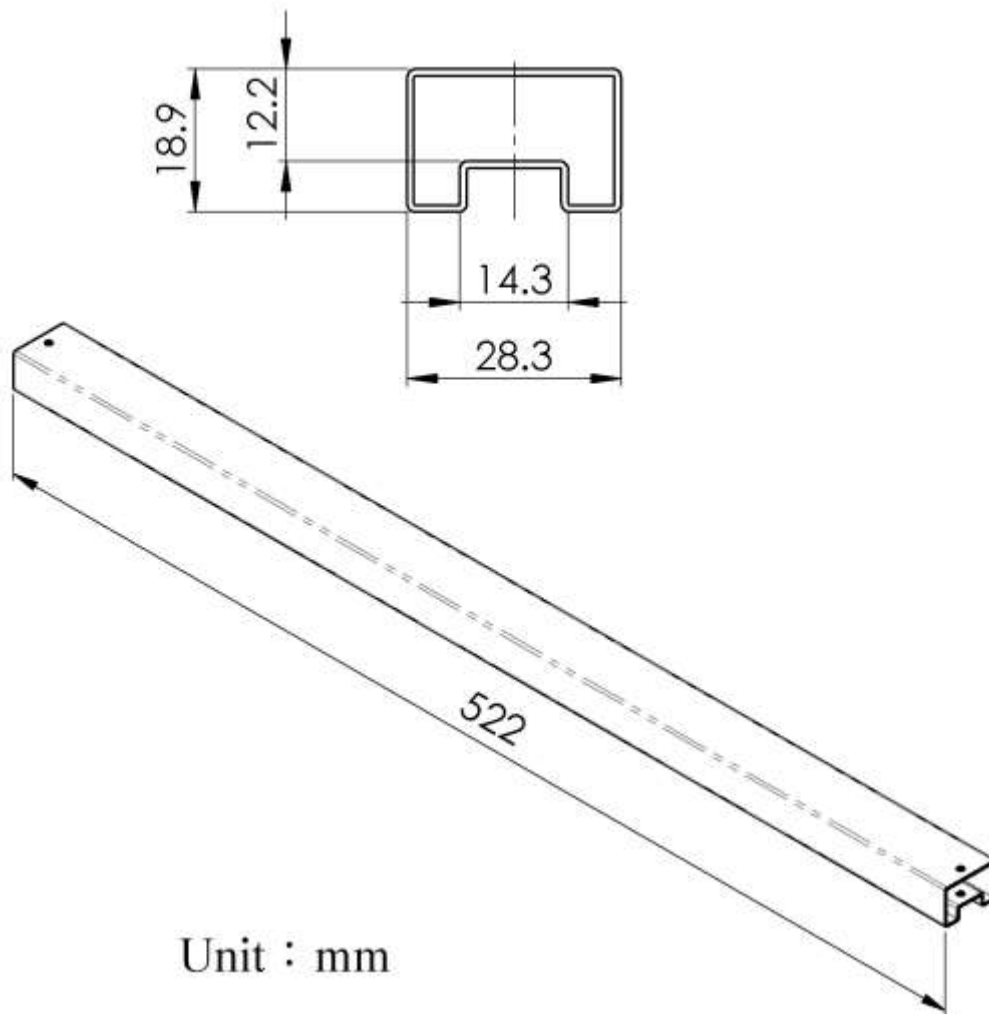


Unit : mm
Tolerance : XX.X ± 0.5 , XX.XX ± 0.25

PIN Assignment

| PIN | 1 | 2 | 3 | 4 | 5 | 6 |
|-----------------|------|------|-------|------|-------|---------------|
| FUNCTION | +Vin | -Vin | +Vout | Trim | -Vout | Remote On/Off |

Packing Formation



Unit : mm

| | |
|---------------|-------------------------|
| Weight | : 16.5 grams/pcs |
| TUBE | : 19 pcs |