

**Features**

- 15 WATT DIL PACKAGE
- EFFICIENCY TO 86%
- PI INPUT FILTER
- 100% BURNED IN
- UL 94V-0 PACKAGE MATERIAL
- CUSTOMIZED SOLUTIONS AVAILABLE
- REGULATED OUTPUT TYPE
- Remote Control: On/Off



**15 Watt DC/DC  
Converter**

WIDE INPUT VOLTAGE RANGE

15 WATT DC-DC CONVERTER

**Input Specifications**

Input Voltage	:48Vdc
Input Voltage Range	:18~75Vdc
Under voltage shut down (lock-out circuit)	:16.0 Vdc Typ

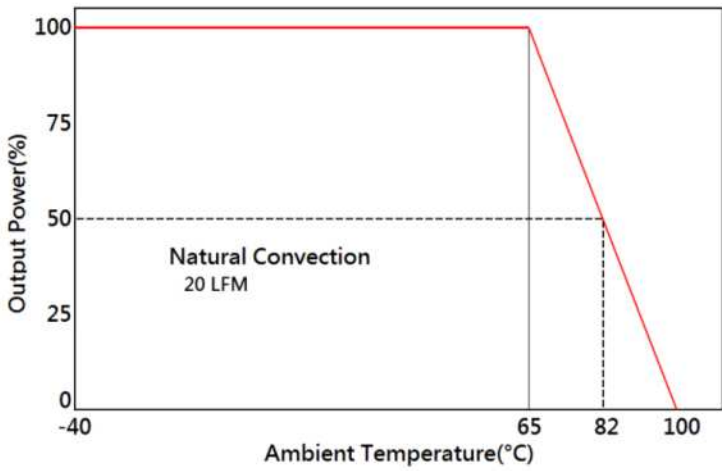
**Output Specifications**

Output Voltage	:24Vdc	
Output Voltage Accuracy	: ±2%	@23.52~24.48Vdc @Vin=18~75Vdc
Output Current	:625mA	
Efficiency	:86% TYP	@Vin=48Vdc
Ripple / Noise	:240mVp-p MAX	@20MHz Bandwidth
Short Circuit Protection	: Continuous	@Hiccup, auto-recovery
Line Regulation	: ±0.5% MAX	@ Full Load
Load Regulation	: ±0.5% MAX	@25% TO 100% Load

**General Specifications**

Operating Temperature Range	: -40°C ~ +82°C (with derating)	Output load derate 2.86% per degree Celsius above 65°C as refer to temperature derating graph.
Storage Temperature	: -55°C ~ +125°C	
Switching Frequency	:400KHz TYP	
Humidity	:95% MAX	
Isolation Voltage	:1500Vdc	
Isolation Resistance	:1000MΩ MIN	
Cooling	: Natural Convection	@20LFM
MTBF	:>=560000 Hours	MIL-HDBK-217F@25°C, Ground Benign.
Case Material	: Six-side shielded case	
Weight	:16.5g TYP	

Temperature Derating Graph

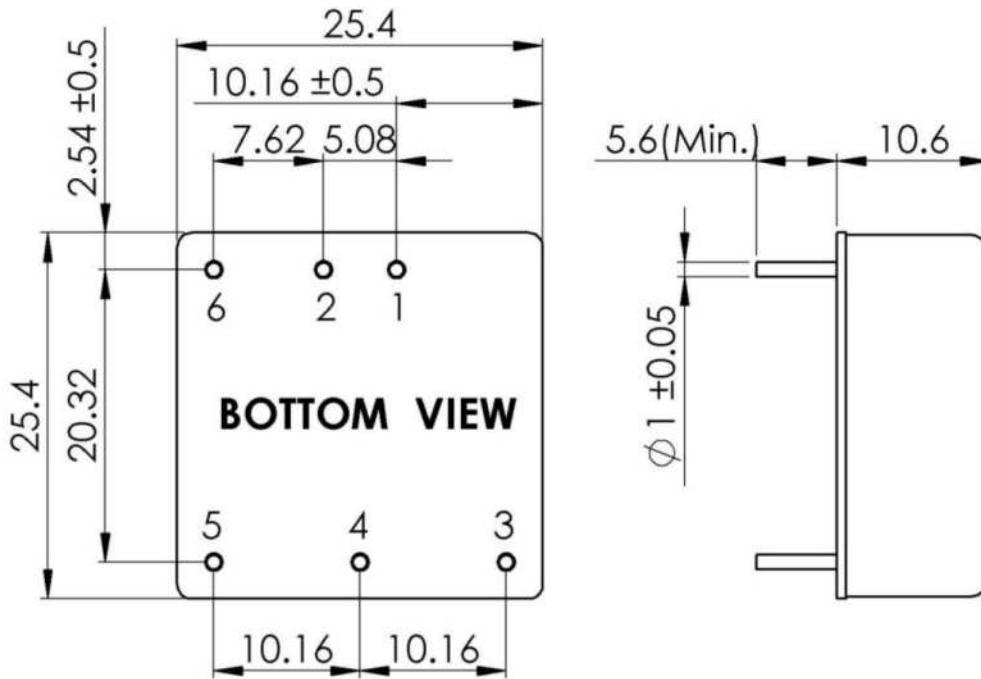


Part Number

**68DW15- 48 S 24 R P NL**  
**A B C D E F G**

- A: Series**
- B: Input Voltage**
- C: Single Output**
- D: Output Voltage**
- E: Regulated(R)**
- F: No Remote On/Off**
- G: RoHs Version**

Outline Dimensions

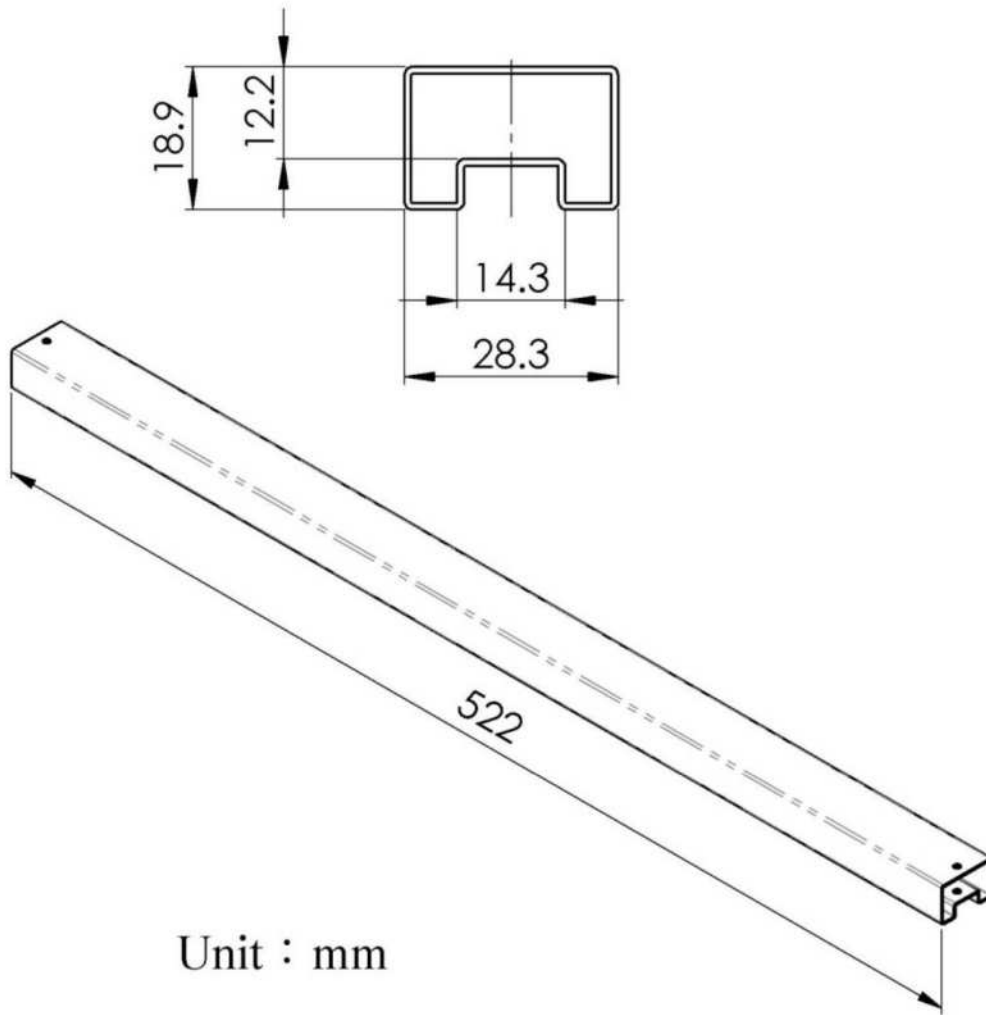


**Unit : mm**  
**Tolerance : XX.X ±0.5 , XX.XX ±0.25**

**PIN Assignment**

PIN	1	2	3	4	5	6
FUNCTION	+Vin	-Vin	+Vout	Trim	-Vout	No pin

Packing Formation



Unit : mm

<b>Weight</b>	<b>: 16.5 grams/pcs</b>
<b>TUBE</b>	<b>: 19 pcs</b>