

Features

- 30 WATT DIL PACKAGE
- 4:1 WIDE INPUT VOLTAGE
- EFFICIENCY TO 91%
- PI INPUT FILTER
- 100% BURNED IN
- UL 94V-0 PACKAGE MATERIAL
- CUSTOMIZED SOLUTIONS AVAILABLE
- REGULATED OUTPUT TYPE

**30 Watt DC/DC Converter**

WIDE INPUT VOLTAGE RANGE

30 WATT DC-DC CONVERTER

Input Specifications

Input Voltage	:24Vdc	
Input Voltage Range	:9~36Vdc	@9Vin Min ; 36Vin Max
Under voltage shut down (lock-out circuit)	:8.0 Vdc Typ	
Remote On/Off	:Open or 3~15Vdc(DC/DC ON) :Short or 0~1.2Vdc(DC/DC OFF)	@Positive logic (Standard) (Refer to -Vin PIN)
	: -0.5 ~ +1.0 mA	@Input current of Ctrl pin
	: 2.0 mA TYP	@Remote off input current

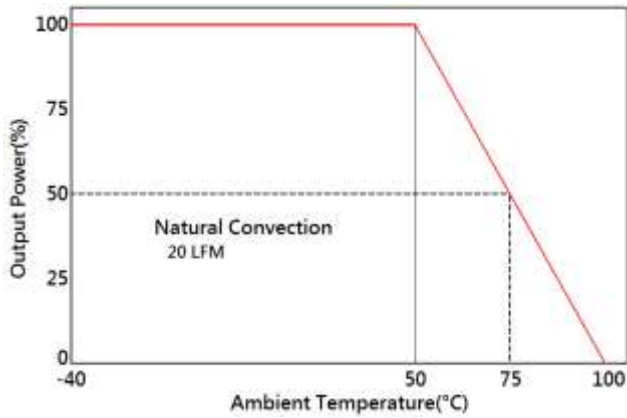
Output Specifications

Output Voltage	:±15Vdc	
Output Voltage Accuracy	:±2%	@±14.7~±15.3Vdc @Vin=9~36Vdc
Output Current	:±1000mA	
Efficiency	:91% TYP	@Vin=24Vdc
Ripple / Noise	:100mVp-p MAX	@20MHz Bandwidth, with 22uF*2 MLCC
Short Circuit Protection	:Continuous	@Hiccup, auto-recovery
Line Regulation	:±0.5% MAX	@LL TO HL, Full Load
Load Regulation	:±5.0% MAX	@25% TO 100% load
Over load protection	:170% MAX	@% of lout rated; Hiccup mode

General Specifications

Operating Temperature Range	:-40°C ~ +75°C (with derating)	Output load derate 2% per degree Celsius above 50°C as refer to temperature derating graph.
Storage Temperature	:-55°C ~ +125°C	
Switching Frequency	:330KHz TYP	
Humidity	:95% MAX	
Isolation Voltage	:1500VDC	
Isolation Resistance	:1000M Ω MIN	
Cooling	:Natural Convection	@20LFM
MTBF	:>=1200000 Hours	MIL-HDBK-217F@25°C, Ground Benign.
Case Material	:Six-side shielded case	
Weight	:22g TYP	
Conducted Emission	:EN55032 Class B	(with external components)
Radiated Emission	:EN55032 Class B	(with external components)

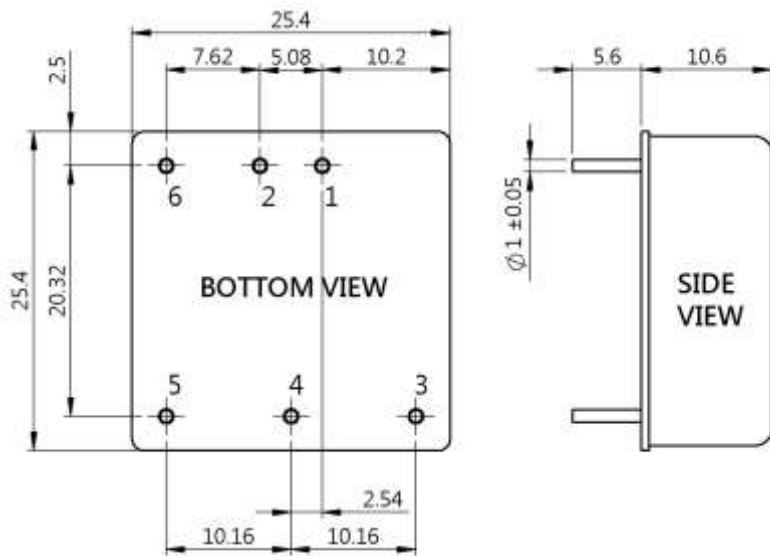
Temperature Derating Graph **Part Number**



96DW- **24** **D** **15** **R** **6** **NL**
A **B** **C** **D** **E** **F** **G**

- A: Series**
- B: Input Voltage**
- C: Dual Output**
- D: Output Voltage**
- E: Regulated(R)**
- F: Package**
- G: RoHS Version**

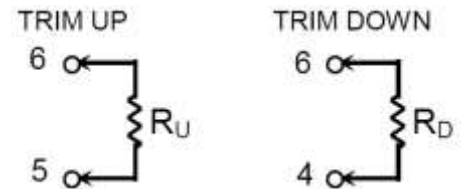
Outline Dimensions



Unit : mm
 Tolerance : XX.X ±0.5 , XX.XX ±0.25

External Output Trimming

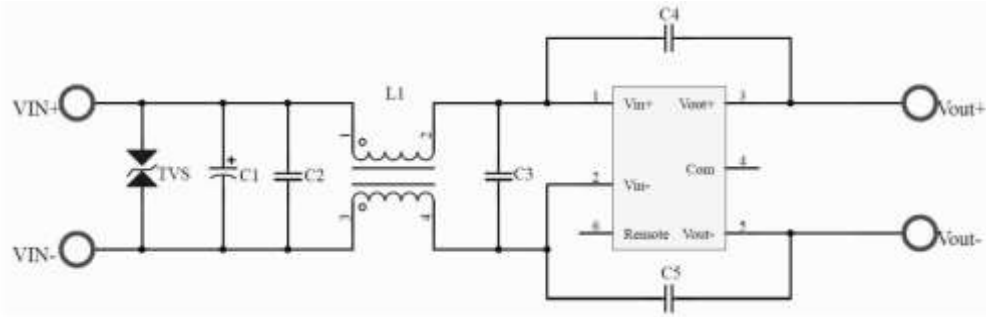
Output can be externally trimmed by using the method shown below.



PIN Assignment

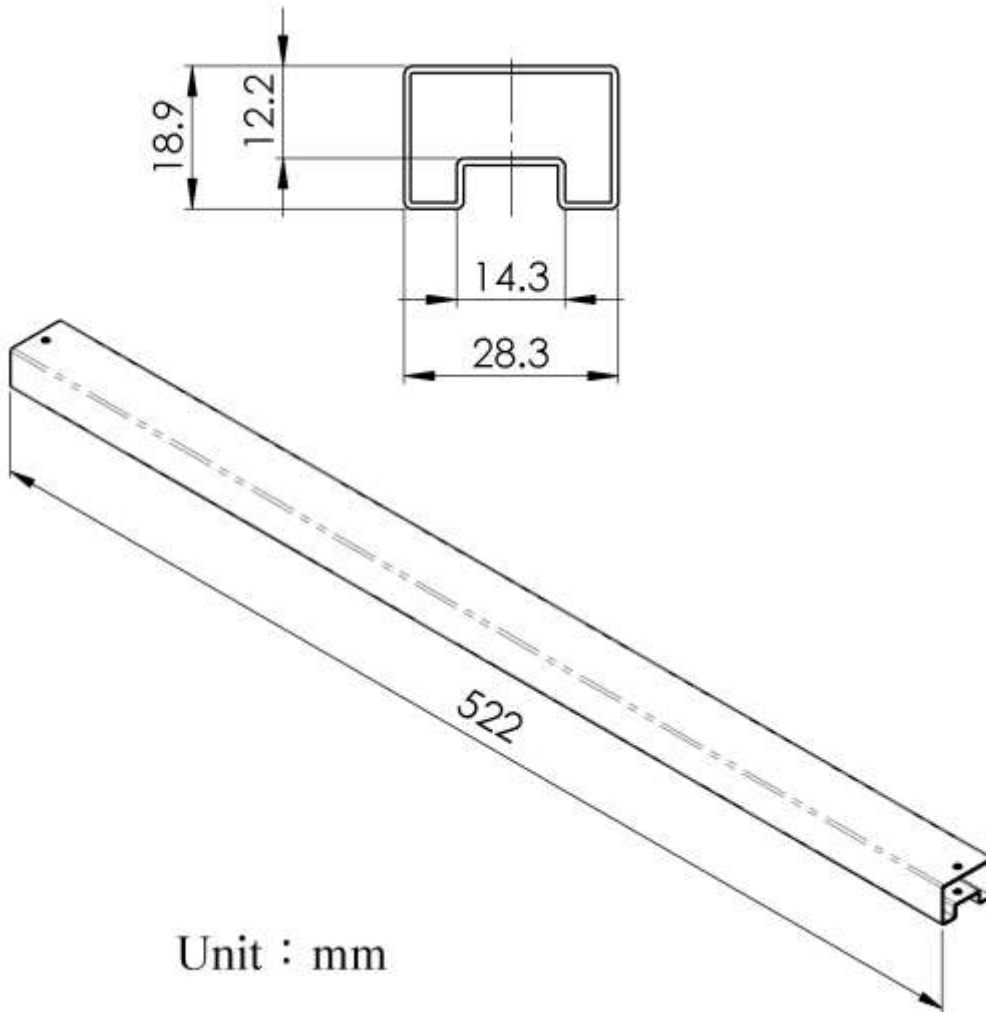
PIN	1	2	3	4	5	6
FUNCTION	+Vin	-Vin	+Vout	Com	-Vout	Remote ON/OFF

Recommended Test Circuit Meets EN55024 Criterion A and EN55032 Class B



24V	C1 220uF/100V&C2&C3 4.7uF/50V	C4&C5 2200pF/2kV	L1 0.94mH	TVS 3.0SMCJ58AG
48V	C1 220uF/100V&C2&C3 4.7uF/100V	C4&C5 3200pF/2kV	L1 6.20mH	TVS 3.0SMCJ120AG

Packing Formation



Unit : mm

Weight	: 22 grams/pcs
Tube	: 19 pcs