

Features

- 30W DIL Package
- 4:1 Wide Input Range
- 100% Burned In
- High Efficiency Up To 85%
- Customized Solutions Available
- UL 94V-0 Package Material
- RoHS Compliant
- Operating Temperature : -40°C TO +85°C
- 3 Years Warranty

**30 Watt DC/DC Converter**

WIDE INPUT VOLTAGE RANGE

30 WATT DC-DC CONVERTERS

Input Specifications

Input Voltage	:24Vdc
Input Voltage Range	:9~36Vdc

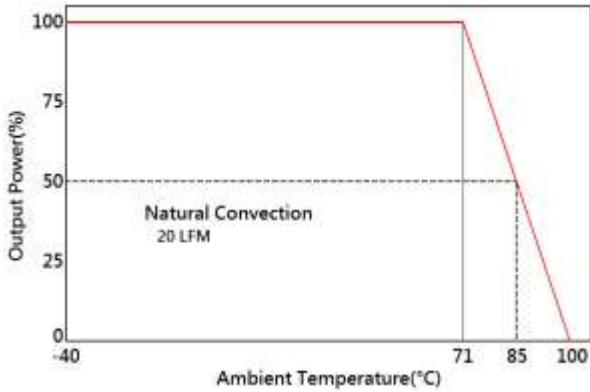
Output Specifications

Output Voltage	:15Vdc	
Output Voltage Accuracy	: ±2%	@14.7V~15.3Vdc @Vin=9V~36Vdc
Output Current	:2000mA	
Efficiency	:85% TYP.	@Vin=24Vdc
Ripple / Noise	:100mVp-p MAX	@20MHz Bandwidth
Short Circuit Protection	: Continuous	@Hiccup, auto-recovery
Line Regulation	: ±0.5% MAX	@LL to HL at full Load
Load Regulation	: ±0.5% MAX	@1/4FL to 100%FL.

General Specifications

Operating Temperature Range	: -40°C ~ +85°C (with derating)	Output load derate 3.45% per degree Celsius above 71°C as refer to temperature derating graph.
Storage Temperature	: -55°C ~ +125°C	
Switching Frequency	:300KHz TYP.	
Humidity	:95% MAX	
Isolation Voltage	:1600Vdc	
Isolation Resistance	:1000MΩ MIN	
Cooling	: Natural Convection	@20LFM
MTBF	:>= 4.347 x 10 ⁵ Hours	MIL-HDBK-217F@25°C, Ground Benign.
Case Material	: Six-side shielded case	
Weight	:36.5g TYP.	
Conducted Emission	: EN55022 Class A	
Radiated Emission	: EN55022 Class A	

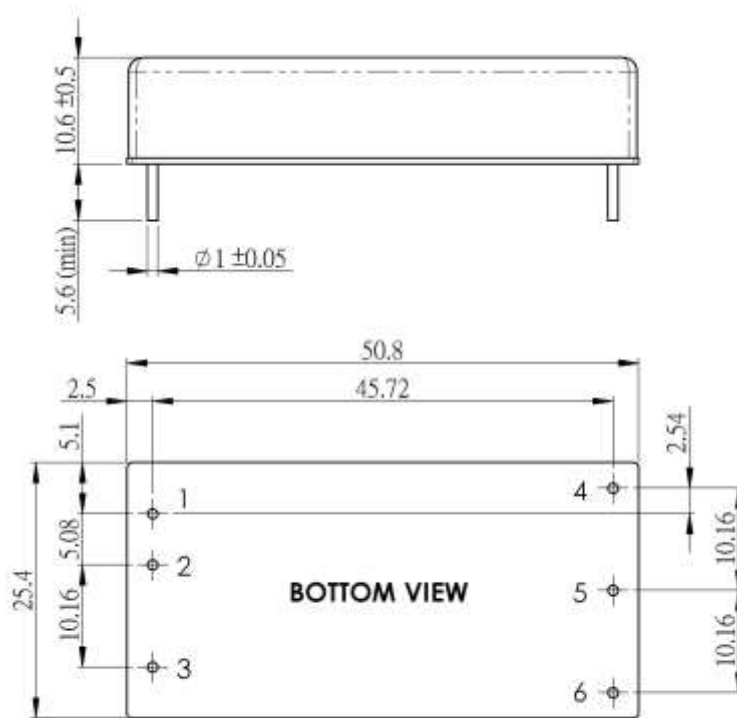
Temperature Derating Graph **Part Number**



96DW- **24** **S** **15** **R** **5** **NL**
A **B** **C** **D** **E** **F** **G**

- A: Series**
- B: Input Voltage**
- C: Single Output**
- D: Output Voltage**
- E: Regulated(R)**
- F: Package**
- G: RoHs Version**

Outline Dimensions

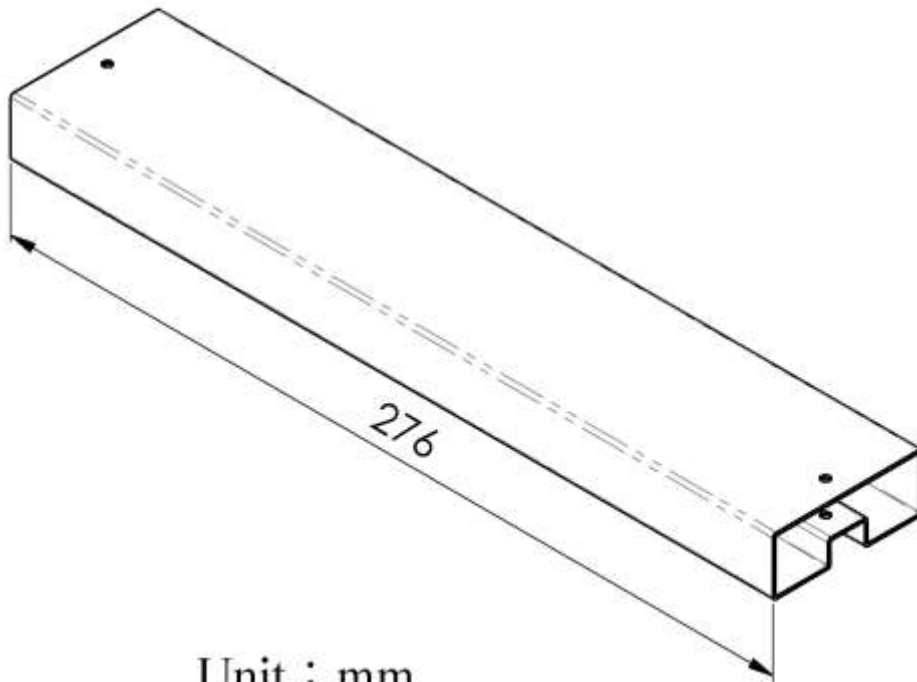
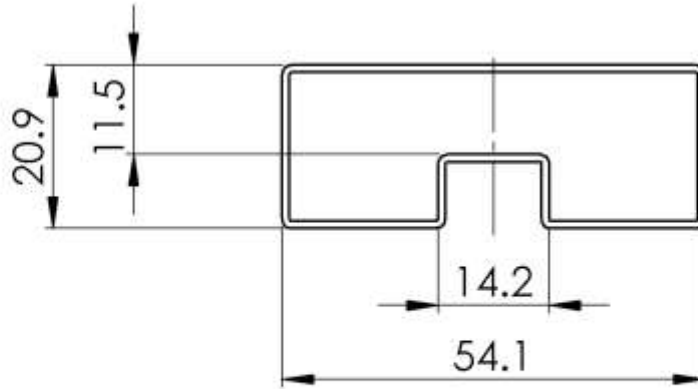


Unit : mm
 Tolerance : XX.X ± 0.5 , XX.XX ± 0.25

PIN Assignment

PIN	1	2	3	4	5	6
FUNCTION	+Vin	-Vin	Remote ON/OFF	+Vout	-Vout	Trim

Packing Formation



Unit : mm

Weight	: 36.5 grams/pcs
Tube	: 10 pcs