

**Features**

- 30 WATT DIL PACKAGE
- 4:1 WIDE INPUT VOLTAGE
- EFFICIENCY TO 89%
- PI INPUT FILTER
- 100% BURNED IN
- UL 94V-0 PACKAGE MATERIAL
- CUSTOMIZED SOLUTIONS AVAILABLE
- REGULATED OUTPUT TYPE



**30 Watt DC/DC Converter**

WIDE INPUT VOLTAGE RANGE  
30 WATT DC-DC CONVERTERS

**Input Specifications**

Input Voltage	:48Vdc
Input Voltage Range	:18~75Vdc

**Output Specifications**

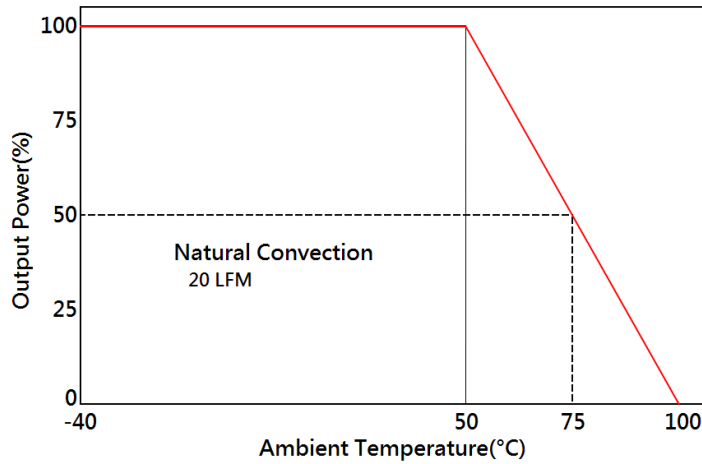
Output Voltage	:±15Vdc	
Output Voltage Accuracy	:±2%	@±14.7~±15.3Vdc @Vin=18~75Vdc
Output Current	:±1000mA	
Efficiency	:89% TYP	@Vin=48Vdc
Ripple / Noise	:100mVp-p MAX	@20MHz Bandwidth, with 22uF*2 MLCC
Short Circuit Protection	: Continuous	@Hiccup, auto-recovery
Line Regulation	: ±0.5% MAX	@Full Load
Load Regulation	: ±5.0% MAX	@25% TO 100% load

**General Specifications**

Operating Temperature Range	: -40°C ~ +75°C (with derating)	Output load derate 2% per degree Celsius above 50°C as refer to temperature derating graph.
Storage Temperature	: -55°C ~ +125°C	
Switching Frequency	:330KHz TYP	
Humidity	:95% MAX	
Isolation Voltage	:1500VDC	
Isolation Resistance	:1000M Ω MIN	
Cooling	: Natural Convection	@20LFM
MTBF	:>=1200000 Hours	MIL-HDBK-217F@25°C, Ground Benign.
Case Material	: Six-side shielded case	
Weight	:22g TYP	

Temperature Derating Graph

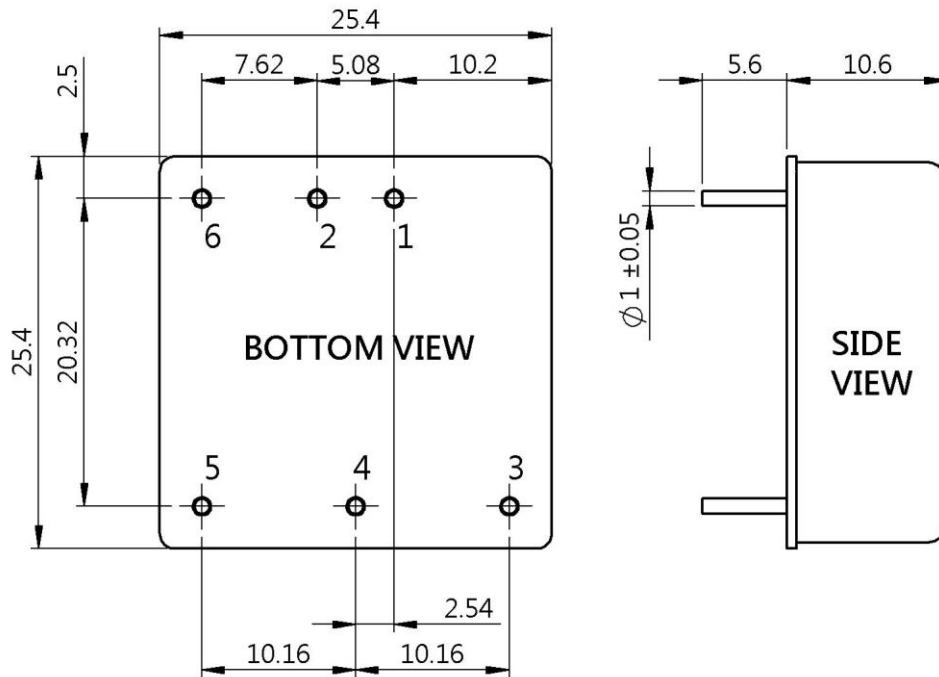
Part Number



**96DW-** **48** **D** **15** **R** **6** **NL**  
**A** **B** **C** **D** **E** **F** **G**

- A: Series**
- B: Input Voltage**
- C: Dual Output**
- D: Output Voltage**
- E: Regulated(R)**
- F: Package**
- G: RoHS Version**

Outline Dimensions

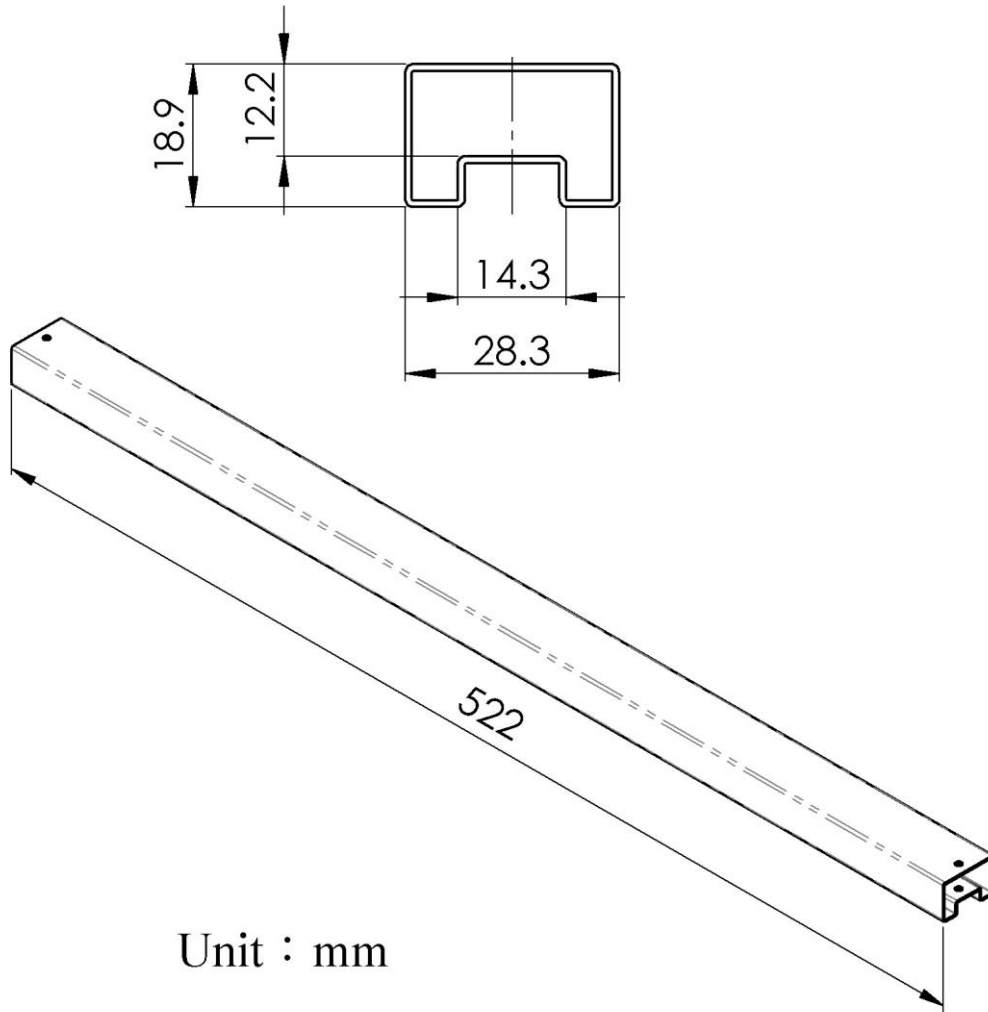


Unit : mm  
 Tolerance : XX.X ±0.5 , XX.XX ±0.25

PIN Assignment

PIN	1	2	3	4	5	6
FUNCTION	+Vin	-Vin	+Vout	Com	-Vout	Remote On/Off

**Packing Formation**



<b>Weight</b>	<b>: 22 grams/pcs</b>
<b>Tube</b>	<b>: 19 pcs</b>