

Features

- 30 WATT DIL PACKAGE
- 4:1 WIDE INPUT VOLTAGE
- EFFICIENCY TO 87%
- PI INPUT FILTER
- 100% BURNED IN
- UL 94V-0 PACKAGE MATERIAL
- CUSTOMIZED SOLUTIONS AVAILABLE
- REGULATED OUTPUT TYPE

**30 Watt DC/DC Converter**

WIDE INPUT VOLTAGE RANGE
30 WATT DC-DC CONVERTER

**Input Specifications**

Input Voltage	:48Vdc	
Input Voltage Range	:18~75Vdc	@18Vin Min ; 75Vin Max
Under voltage shut down (lock-out circuit)	:16.0 Vdc Typ	
Remote On/Off	:Open or 3~15Vdc(DC/DC ON) :Short or 0~1.2Vdc(DC/DC OFF) :-0.5 ~ +1.0 mA : 2.0 mA TYP	@Positive logic (Standard) (Refer to -Vin PIN) @Input current of Ctrl pin @Remote off input current

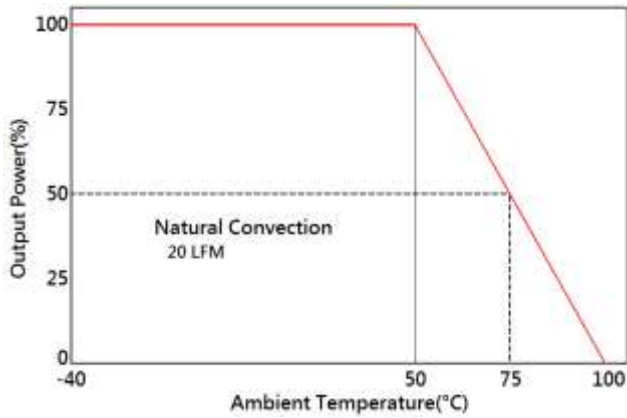
Output Specifications

Output Voltage	:3.3Vdc	
Output Voltage Accuracy	:±2%	@3.234~3.366Vdc @Vin=18~75Vdc
Output Current	:7000mA	
Efficiency	:87% TYP	@Vin=48Vdc
Ripple / Noise	:100mVp-p MAX	@20MHz Bandwidth, with 22uF*2 MLCC
Short Circuit Protection	:Continuous	@Hiccup, auto-recovery
Line Regulation	:±0.5% MAX	@LL TO HL, Full Load
Load Regulation	:±0.5% MAX	@25% TO 100% load
Over Voltage Protection	:4.5V TYP	@3.7V MIN ; 5.4V MAX
Over load protection	:170% MAX	@% of Iout rated; Hiccup mode

General Specifications

Operating Temperature Range	: -40°C ~ +75°C (with derating)	Output load derate 2% per degree Celsius above 50°C as refer to temperature derating graph.
Storage Temperature	: -55°C ~ +125°C	
Switching Frequency	: 275KHz TYP	
Humidity	: 95% MAX	
Isolation Voltage	: 1500VDC	
Isolation Resistance	: 1000M Ω MIN	
Cooling	: Natural Convection	@20LFM
MTBF	: >=1200000 Hours	MIL-HDBK-217F@25°C, Ground Benign.
Case Material	: Six-side shielded case	
Weight	: 22g TYP	
Conducted Emission	: EN55032 Class B	(with external components)
Radiated Emission	: EN55032 Class B	(with external components)

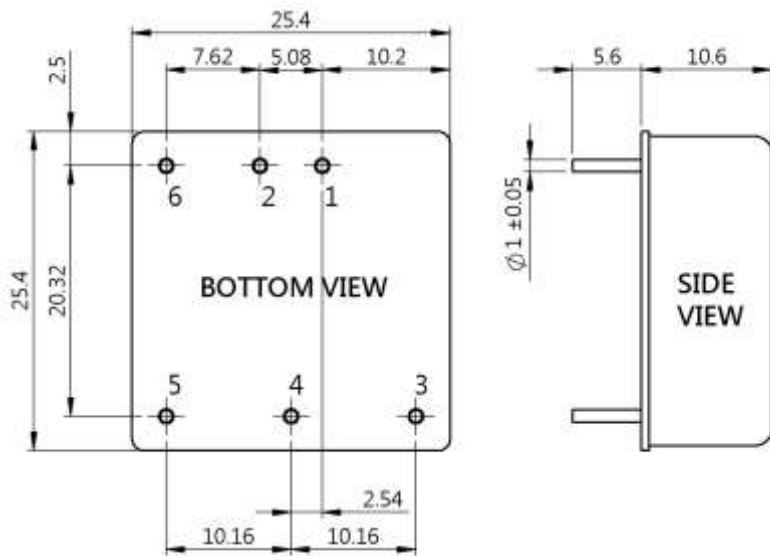
Temperature Derating Graph **Part Number**



96DW- **48** **S** **03** **R** **6** **NL**
A **B** **C** **D** **E** **F** **G**

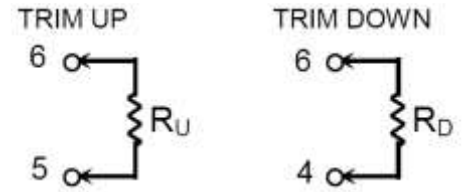
- A: Series**
- B: Input Voltage**
- C: Single Output**
- D: Output Voltage**
- E: Regulated(R)**
- F: Package**
- G: RoHS Version**

Outline Dimensions



External Output Trimming

Output can be externally trimmed by using the method shown below.

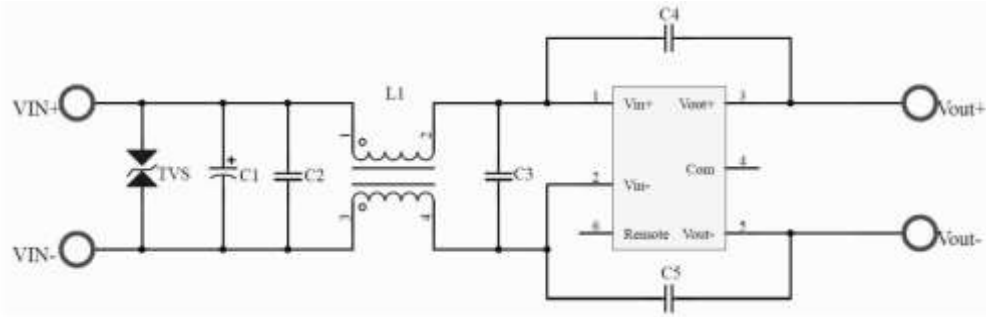


Unit : mm
 Tolerance : XX.X ± 0.5 , XX.XX ± 0.25

PIN Assignment

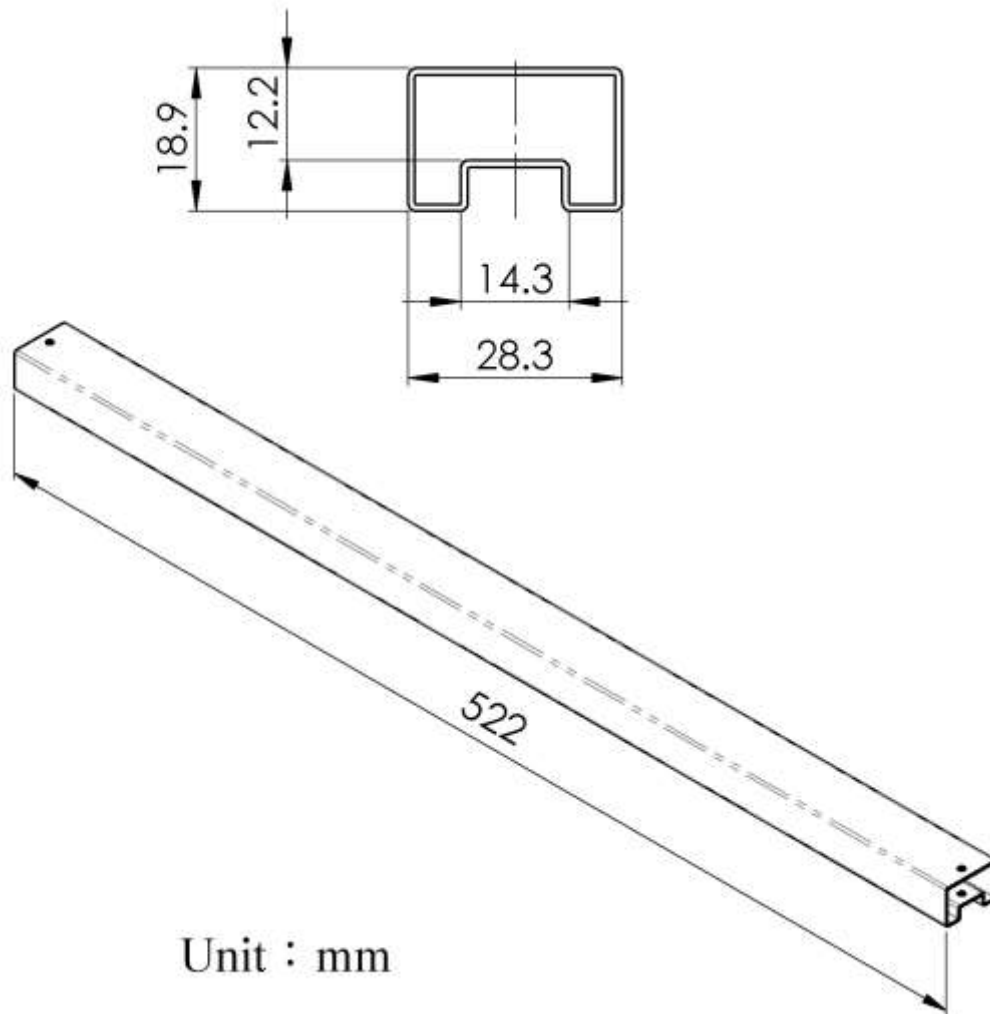
PIN	1	2	3	4	5	6
FUNCTION	+Vin	-Vin	+Vout	Trim	-Vout	Remote On/Off

Recommended Test Circuit Meets EN55024 Criterion A and EN55032 Class B



24V	C1 220uF/100V&C2&C3 4.7uF/50V	C4&C5 2200pF/2kV	L1 0.94mH	TVS 3.0SMCJ58AG
48V	C1 220uF/100V&C2&C3 4.7uF/100V	C4&C5 3200pF/2kV	L1 6.20mH	TVS 3.0SMCJ120AG

Packing Formation



Unit : mm

Weight	: 22 grams/pcs
Tube	: 19 pcs