

Features

- 20 WATT DIL PACKAGE
- 4:1 WIDE INPUT VOLTAGE
- EFFICIENCY TO 86%
- PI INPUT FILTER
- 100% BURNED IN
- UL 94V-0 PACKAGE MATERIAL
- CUSTOMIZED SOLUTIONS AVAILABLE
- REGULATED OUTPUT TYPE



**20 Watt DC/DC
Converter**

WIDE INPUT VOLTAGE RANGE
20 WATT DC-DC CONVERTER

Input Specifications

| | | |
|---------------------|---|---|
| Input Voltage | :110Vdc | |
| Input Voltage Range | :40~160Vdc | |
| Remote ON/OFF | :Open or 3~12Vdc(DC/DC ON) :Short or 0~1.2Vdc(DC/DC OFF) | @Positive logic (Standard) (Refer to -Vin PIN) |
| | : -0.5 ~ +0.5 mA | @Input current of Remote ON/OFF pin |
| | :3 mA TYP | @Remote off input current |

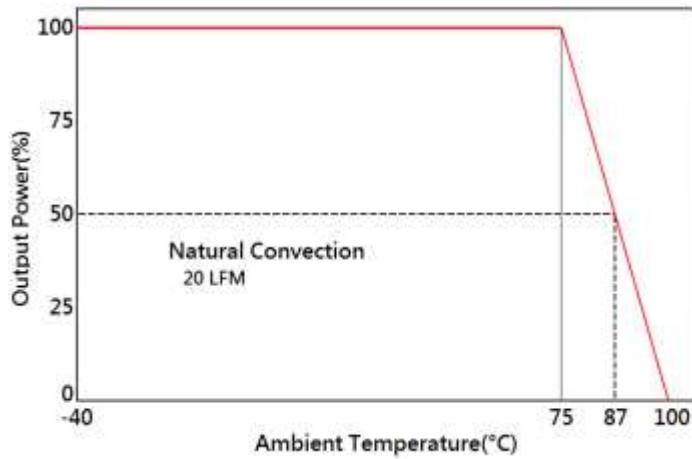
Output Specifications

| | | |
|--------------------------|---------------|-----------------------------------|
| Output Voltage | :15Vdc | |
| Output Voltage Accuracy | :±2% | @Vout=14.7~15.3Vdc@Vin=40~160Vdc |
| Output Current | :1330mA | |
| Efficiency | :86% TYP | @Vin=110Vdc |
| Ripple / Noise | :100mVp-p MAX | @20MHz Bandwidth With 10uF MLCC*1 |
| Short Circuit Protection | :Continuous | @Hiccup, auto-recovery |
| Line Regulation | :±0.5% MAX | @LL to HL at Full Load |
| Load Regulation | :±0.5% MAX | @25%FL to 100%FL |
| Over Voltage Protection | :18.65V TYP | @16.8V MIN ; 20.5V MAX |

General Specifications

| | | |
|-----------------------------|--------------------------------|---|
| Operating Temperature Range | :-40°C ~ +87°C (With derating) | Output load derate 4% per degree Celsius above 75°C as refer to temperature derating graph. |
| Storage Temperature | :-55°C ~ +125°C | |
| Switching Frequency | :330KHz TYP | |
| Humidity | :95% MAX | |
| Isolation Voltage | :3000Vdc | |
| Isolation Resistance | :1000m Ω MIN | |
| Cooling | :Natural Convection | @20LFM |
| MTBF | : >=1500000 Hours | MIL-HDBK-217F@25°C,Ground Benign. |
| Case Material | :Six-side shielded case | |
| Weight | :30g TYP | |
| Conducted Emission | :EN50155 | |
| Radiated Emission | :EN50155 | |

Temperature Derating Graph



Part Number

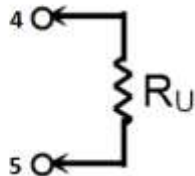
98DW20- 110 S 15 R 3 NL
A B C D E F G

- A: Series**
- B: Input Voltage**
- C: Single Output**
- D: Output Voltage**
- E: Regulated(R)**
- F: Package**
- G: RoHS Version**

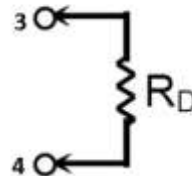
External Output Trimming

Output can be externally trimmed by using the method shown below.

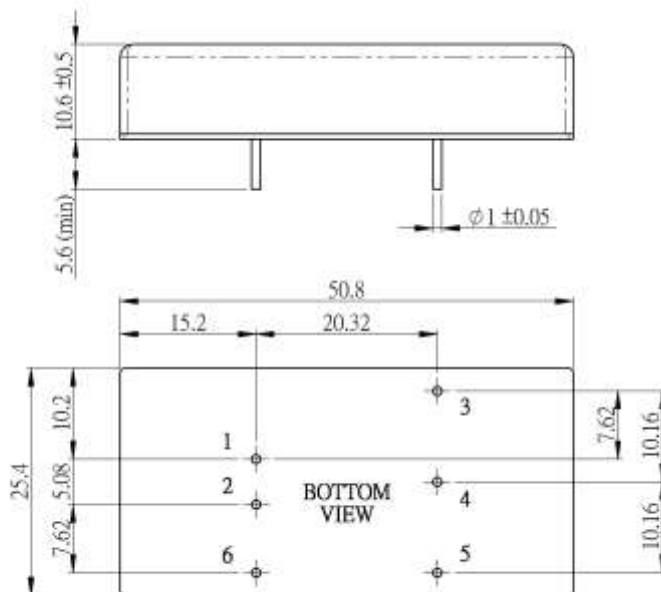
TRIM UP



TRIM DOWN



Outline Dimensions

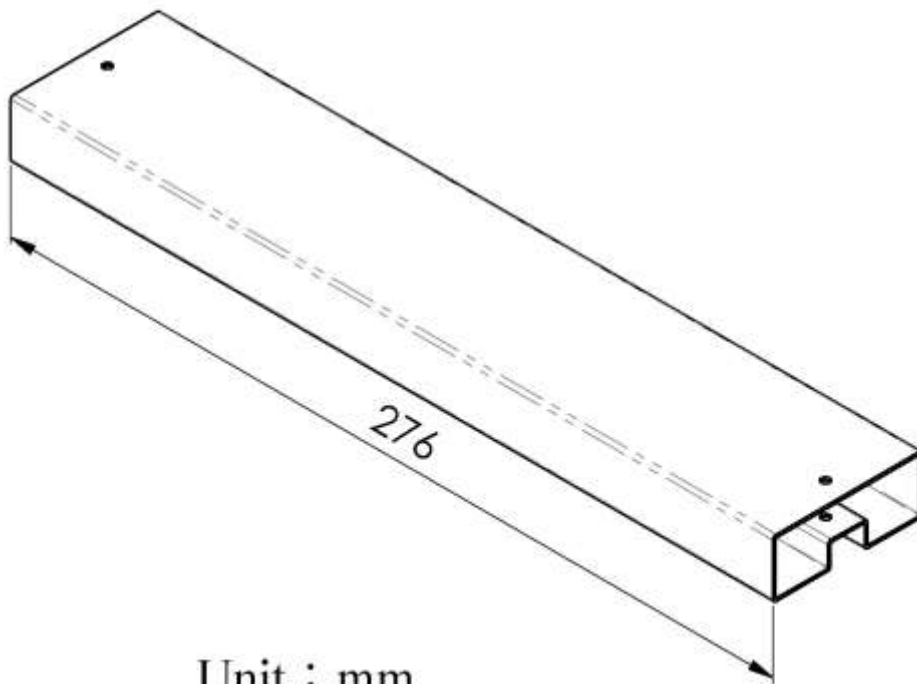
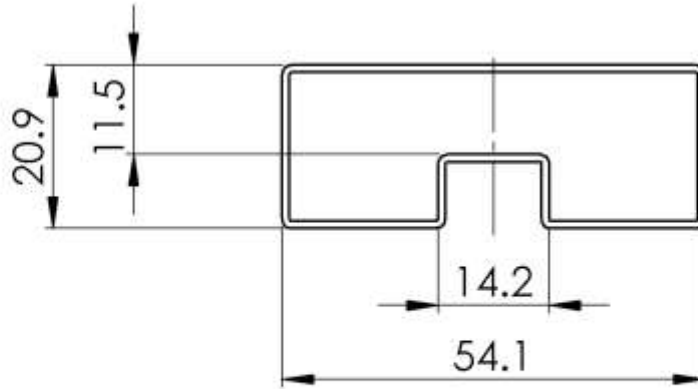


PIN Assignment

Unit : mm
 Tolerance : XX.X ±0.5 , XX.XX ±0.25

| PIN | 1 | 2 | 3 | 4 | 5 | 6 |
|----------|------|------|-------|------|-------|---------------|
| FUNCTION | +Vin | -Vin | +Vout | Trim | -Vout | Remote On/Off |

Packing Formation



Unit : mm

| | |
|---------------|-----------------------|
| Weight | : 30 grams/pcs |
| Tube | : 10 pcs |