

Features

- 20WATT DIL PACKAGE
- 4:1 WIDE INPUT VOLTAGE
- EFFICIENCY TO 86%
- PI INPUT FILTER
- 100% BURNED IN
- UL 94V-0 PACKAGE MATERIAL
- CUSTOMIZED SOLUTIONS AVAILABLE
- REGULATED OUTPUT TYPE



**20 Watt DC/DC
Converter**

WIDE INPUT VOLTAGE RANGE
20 WATT DC-DC CONVERTER

Input Specifications

Input Voltage	:48Vdc
Input Voltage Range	:18~75Vdc

Output Specifications

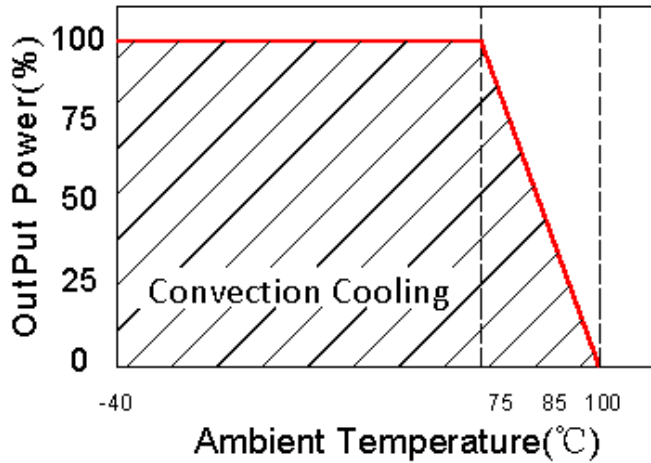
Output Voltage	:5.0Vdc	
Output Voltage Accuracy	:±2%	@Vout=4.9~5.1Vdc@Vin=18~75Vdc
Output Current	:4000mA	
Efficiency	:86% TYP	@Vin=48Vdc
Ripple / Noise	:75mVp-p MAX	@20MHz Bandwidth
Short Circuit Protection	:Continuous	@Hiccup, auto-recovery
Line Regulation	:±0.5% MAX	@ Full Load
Load Regulation	:±0.5% MAX	@25% to 100% load

General Specifications

Operating Temperature Range	: -40°C ~ +100°C (With derating)	Output load derate 4% per degree Celsius above 75°C as refer to temperature derating graph.
Storage Temperature	: -55°C ~ +125°C	
Switching Frequency	: 330KHz TYP	
Humidity	: 95% MAX	
Isolation Voltage	: 3000Vdc	
Isolation Resistance	: 1000MΩ MIN	
Cooling	: Free air convection	
MTBF	: ≥1500000 Hours	MIL-HDBK-217F@25°C, Ground Benign.
Case Material	: Six-side shielded case	
Weight	: 30g TYP	
Conducted Emission	: EN55022 Class A	
Radiated Emission	: EN55022 Class A	

Temperature Derating Graph

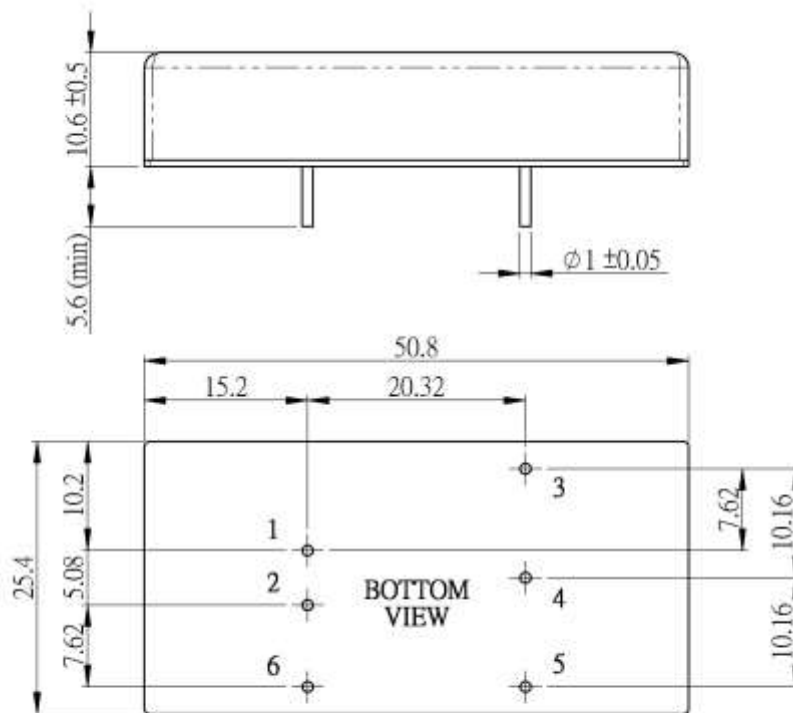
Part Number



98DW20- **48** **S** **05** **R** **3** **NL**
A **B** **C** **D** **E** **F** **G**

- A: Series
- B: Input Voltage
- C: Single Output
- D: Output Voltage
- E: Regulated(R)
- F: Package
- G: RoHS Version

Outline Dimensions

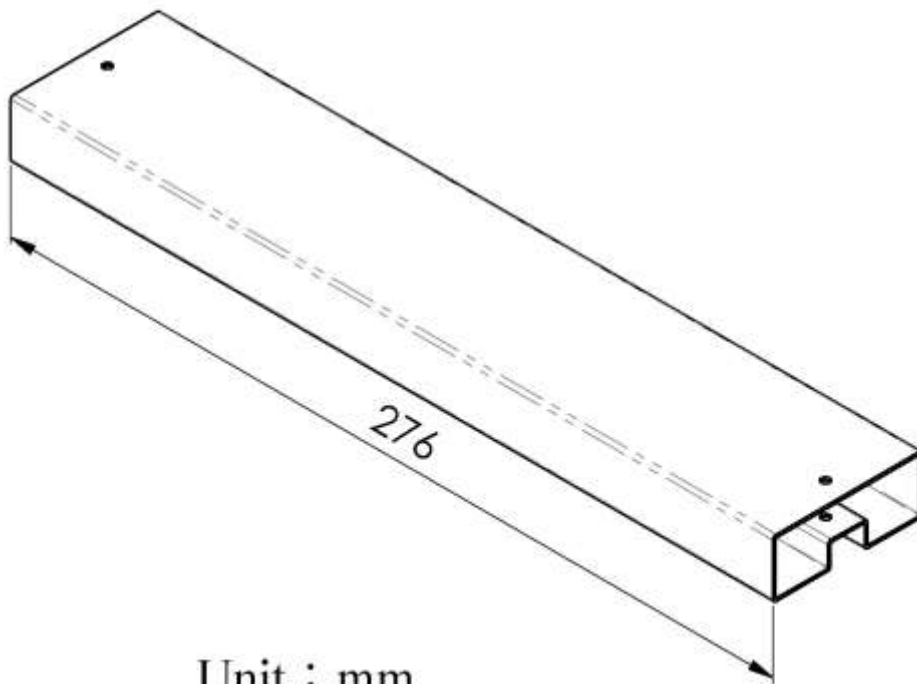
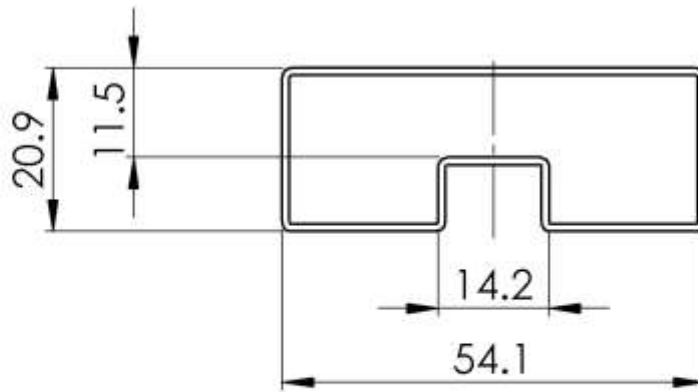


Unit : mm
 Tolerance : XX.X ± 0.5 , XX.XX ± 0.25

PIN Assignment

PIN	1	2	3	4	5	6
FUNCTION	+Vin	-Vin	+Vout	Trim	-Vout	Remote On/Off

Packing Formation



Unit : mm

Weight	: 30 grams/pcs
Tube	: 10 pcs