

**Features**

- 30 WATT DIL PACKAGE
- 4:1 Wide Input Voltage Range
- EFFICIENCY TO 87%
- PI INPUT FILTER
- 100% BURNED IN
- UL 94V-0 PACKAGE MATERIAL
- CUSTOMIZED SOLUTIONS AVAILABLE
- REGULATED OUTPUT TYPE

**30 Watt DC/DC Converter**

WIDE INPUT VOLTAGE RANGE  
30 WATT DC-DC CONVERTERS

**Input Specifications**

Input Voltage	:110Vdc	
Input Voltage Range	:40~160Vdc	
Remote ON/OFF	: Open or 3~12Vdc (DC/DC ON)	@Positive logic (Standard)
	:Short or 0~1.2Vdc(DC/DC OFF)	(Refer to -Vin PIN)
	: -0.5 ~ +0.5 mA	@Input current of Remote ON/OFF pin
	:3 mA TYP	@Remote off input current

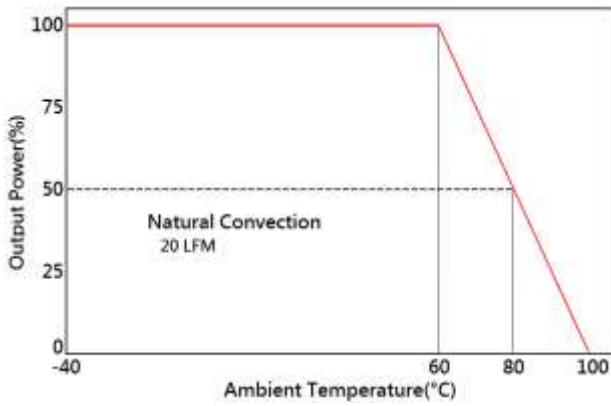
**Output Specifications**

Output Voltage	: ±12Vdc	
Output Voltage Accuracy	: ±2%	@±11.76~±12.24Vdc @Vin=40~160Vdc
Output Current	: ±1250mA	
Efficiency	:87% TYP	@Vin=110Vdc
Ripple / Noise	:100mVp-p MAX	@20MHz Bandwidth With 10uF*1 MLCC Cap.
Short Circuit Protection	: Continuous	@Hiccup, auto-recovery
Line Regulation	: ±0.5% MAX	@Full Load
Load Regulation	: ±5.0% MAX	@25% TO 100% Load

**General Specifications**

Operating Temperature Range	: -40°C ~ +80°C (with derating)	Output load derate 2.5% per degree Celsius above 60°C as refer to temperature derating graph.
Storage Temperature	: -55°C ~ +125°C	
Switching Frequency	:250KHz TYP	
Humidity	:95% MAX	
Isolation Voltage	:3000Vdc	
Isolation Resistance	:1000MΩ MIN	
Cooling	: Natural Convection	@20LFM
MTBF	:>=1500000 Hours	MIL-HDBK-217F@25°C, Ground Benign.
Case Material	: Six-side shielded case	
Weight	:40g TYP	
Conducted Emission	: EN55022 Class A	
Radiated Emission	: EN55022 Class A	

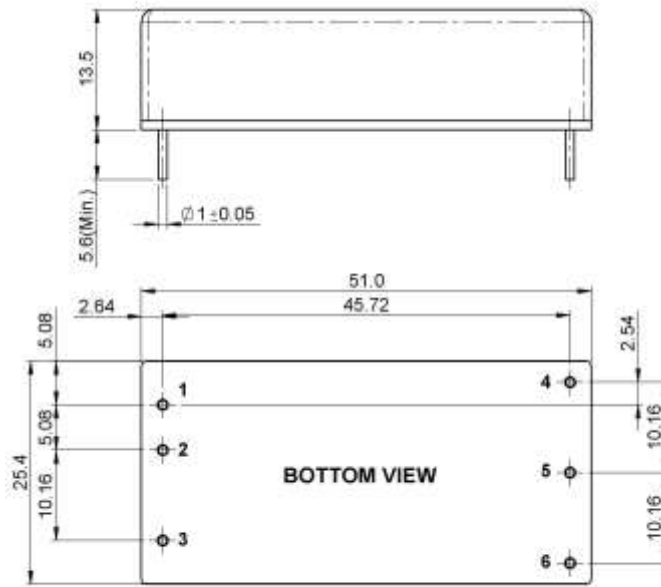
**Temperature Derating Graph** **Part Number**



**98DW30-** **110** **D** **12** **R** **3** **NL**  
**A** **B** **C** **D** **E** **F** **G**

- A: Series**
- B: Input Voltage**
- C: Dual Output**
- D: Output Voltage**
- E: Regulated(R)**
- F: Package**
- G: RoHs Version**

**Outline Dimensions**

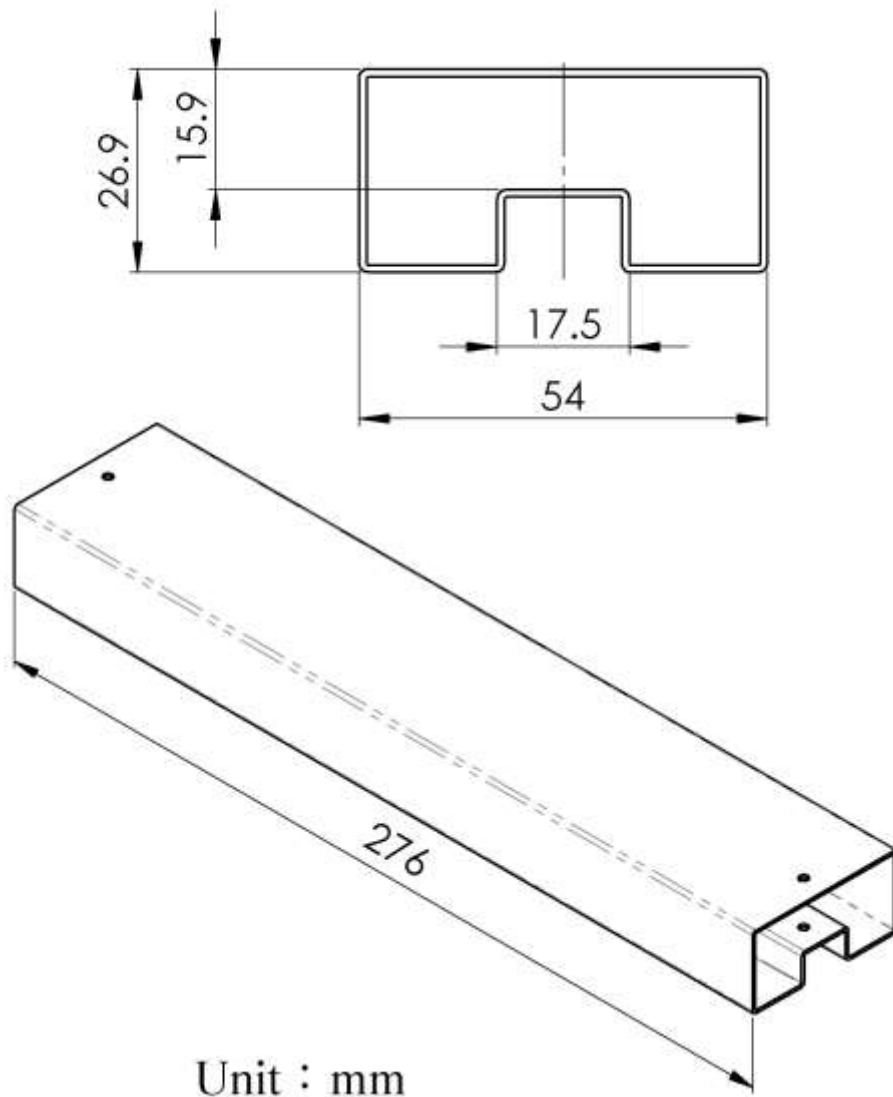


Unit : mm  
 Tolerance : XX.X ± 0.5 · XX.XX ± 0.25

**PIN Assignment**

PIN	1	2	3	4	5	6
FUNCTION	+Vin	-Vin	Remote On/Off	+Vout	Com	-Vout

**Packing Formation**



Unit : mm

<b>Weight</b>	<b>: 40 grams/pcs</b>
<b>TUBE</b>	<b>: 10 pcs</b>