

**Features**

- 30 WATT DIL PACKAGE
- 4:1 Wide Input Voltage Range
- EFFICIENCY TO 85%
- PI INPUT FILTER
- 100% BURNED IN
- UL 94V-0 PACKAGE MATERIAL
- CUSTOMIZED SOLUTIONS AVAILABLE
- REGULATED OUTPUT TYPE



**30 Watt DC/DC  
Converter**

WIDE INPUT VOLTAGE RANGE

30 WATT DC-DC CONVERTER

### Input Specifications

Input Voltage	:110Vdc		
Input Voltage Range	:40~160Vdc		
Remote ON/OFF	:Open or 3~12Vdc(DC/DC ON)	@Positive logic (Standard)	
	:Short or 0~1.2Vdc(DC/DC OFF)	(Refer to -Vin PIN)	
	: -0.5 ~ +0.5 mA	@Input current of Remote ON/OFF pin	
	:3 mA TYP	@Remote off input current	

### Output Specifications

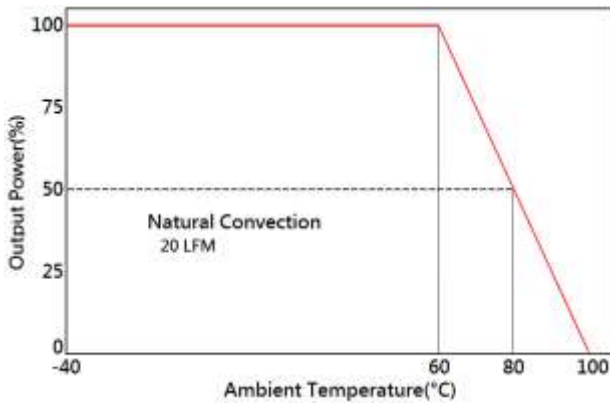
Output Voltage	:5Vdc		
Output Voltage Accuracy	:±2%	@4.9~5.1Vdc	@Vin=40~160Vdc
Output Current	:6000mA		
Efficiency	:85% TYP	@Vin=110Vdc	
Ripple / Noise	:75mVp-p MAX	@20MHz Bandwidth	
Short Circuit Protection	:Continuous	@Hiccup, auto-recovery	
Line Regulation	:±0.5% MAX	@Full Load	
Load Regulation	:±0.5% MAX	@25% TO 100% Load	

### General Specifications

Operating Temperature Range	: -40°C ~ +80°C (with derating)	Output load derate 2.5% per degree Celsius above 60°C as refer to temperature derating graph.
Storage Temperature	: -55°C ~ +125°C	
Switching Frequency	: 250KHz TYP	
Humidity	: 95% MAX	
Isolation Voltage	: 3000Vdc	
Isolation Resistance	: 1000MΩ MIN	
Cooling	: Natural Convection	@20LFM
MTBF	: ≥1500000 Hours	MIL-HDBK-217F @25°C, Ground Benign.
Case Material	: Six-side shielded case	
Weight	: 40g TYP	
Conducted Emission	: EN55022 Class A	
Radiated Emission	: EN55022 Class A	

Temperature Derating Graph

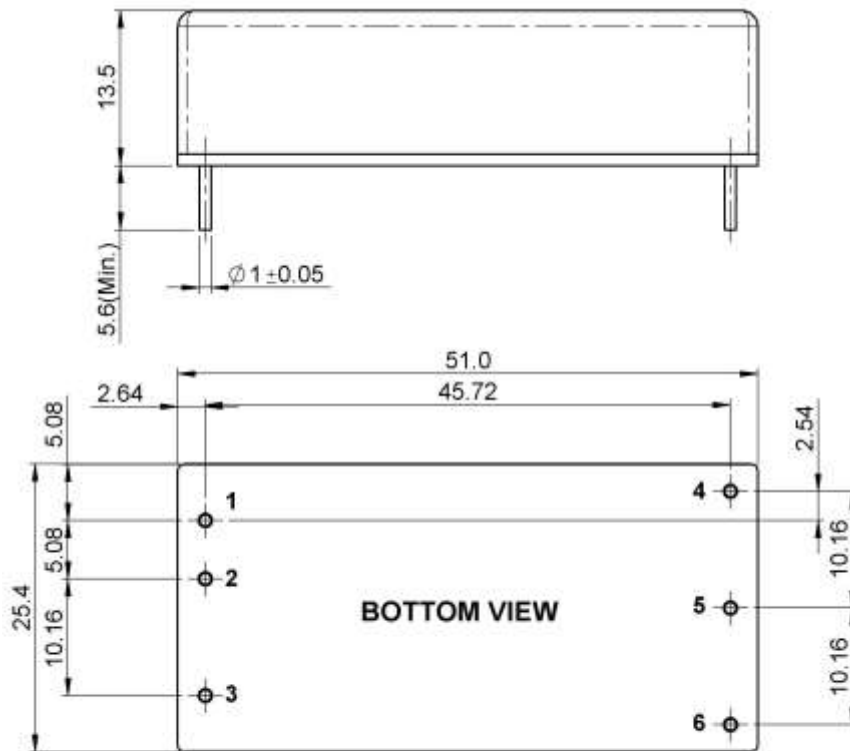
Part Number



**98DW30-** **110** **S** **05** **R** **3** **NL**  
**A** **B** **C** **D** **E** **F** **G**

- A: Series
- B: Input Voltage
- C: Single Output
- D: Output Voltage
- E: Regulated(R)
- F: Package
- G: RoHs Version

Outline Dimensions

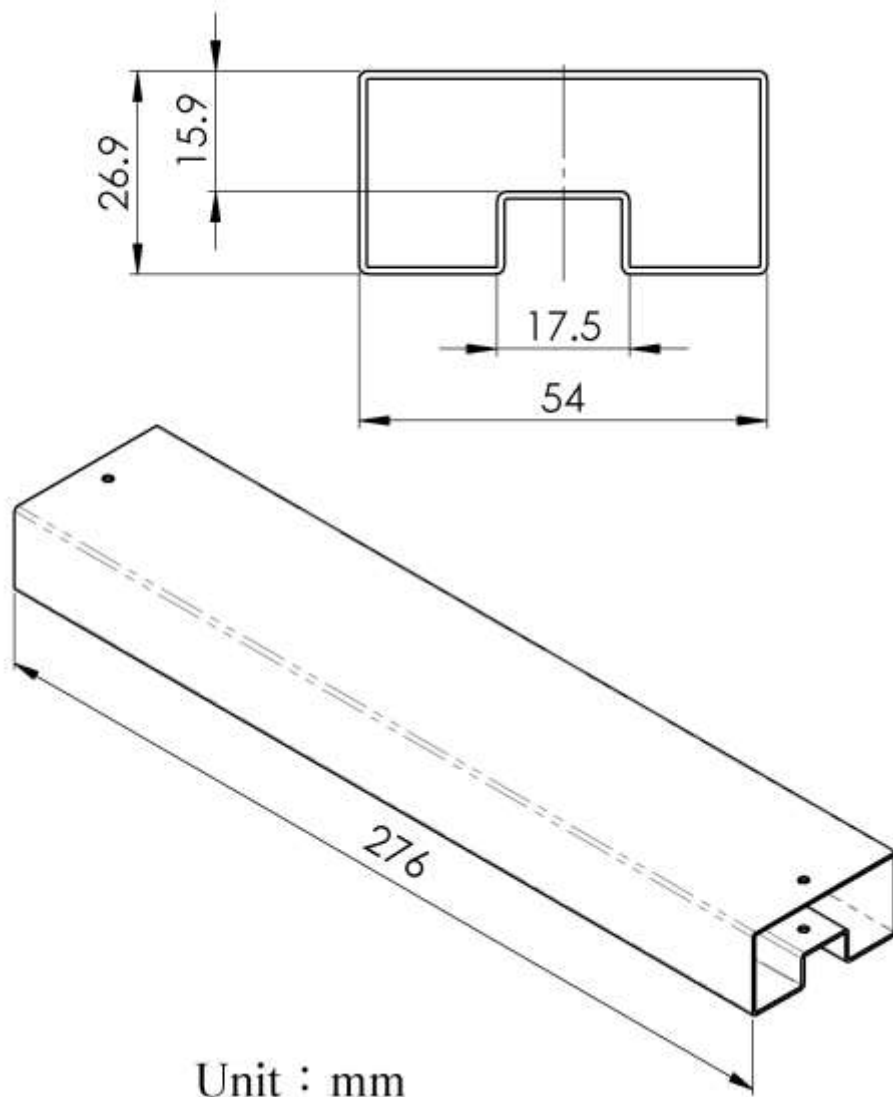


Unit : mm  
 Tolerance : XX.X±0.5 , XX.XX±0.25

PIN Assignment

PIN	1	2	3	4	5	6
FUNCTION	+Vin	-Vin	Remote On/Off	+Vout	-Vout	Trim

**Packing Formation**



Unit : mm

<b>Weight</b>	<b>: 40 grams/pcs</b>
<b>TUBE</b>	<b>: 10 pcs</b>