

Features

- 30 WATT DIL PACKAGE
- 4:1 Wide Input Voltage Range
- EFFICIENCY TO 86%
- PI INPUT FILTER
- 100% BURNED IN
- UL 94V-0 PACKAGE MATERIAL
- CUSTOMIZED SOLUTIONS AVAILABLE
- REGULATED OUTPUT TYPE



**30 Watt DC/DC
Converter**

WIDE INPUT VOLTAGE RANGE

30 WATT DC-DC CONVERTER

Input Specifications

Input Voltage	:24Vdc	
Input Voltage Range	:9~36Vdc	
Remote ON/OFF	:Open or 3~12Vdc(DC/DC ON)	@Positive logic (Standard)
	:Short or 0~1.2Vdc(DC/DC OFF)	(Refer to -Vin PIN)
	:-0.5 ~ +0.5 mA	@Input current of Remote ON/OFF pin
	:3 mA TYP	@Remote off input current

Output Specifications

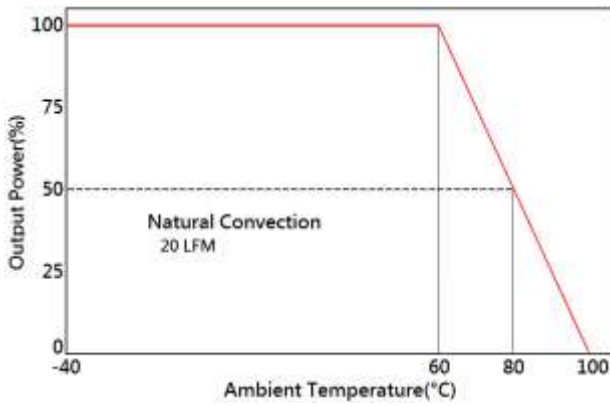
Output Voltage	:5Vdc	
Output Voltage Accuracy	:±2%	@4.9~5.1Vdc @Vin=9~36Vdc
Output Current	:6000mA	
Efficiency	:86% TYP	@Vin=24Vdc
Ripple / Noise	:75mVp-p MAX	@20MHz Bandwidth
Short Circuit Protection	:Continuous	@Hiccup, auto-recovery
Line Regulation	:±0.5% MAX	@Full Load
Load Regulation	:±0.5% MAX	@25% TO 100% Load

General Specifications

Operating Temperature Range	: -40°C ~ +80°C (with derating)	Output load derate 2.5% per degree Celsius above 60°C as refer to temperature derating graph.
Storage Temperature	: -55°C ~ +125°C	
Switching Frequency	: 250KHz TYP	
Humidity	: 95% MAX	
Isolation Voltage	: 3000Vdc	
Isolation Resistance	: 1000MΩ MIN	
Cooling	: Natural Convection	@20LFM
MTBF	: ≥1500000 Hours	MIL-HDBK-217F @25°C, Ground Benign.
Case Material	: Six-side shielded case	
Weight	: 40g TYP	
Conducted Emission	: EN55022 Class A	
Radiated Emission	: EN55022 Class A	

Temperature Derating Graph

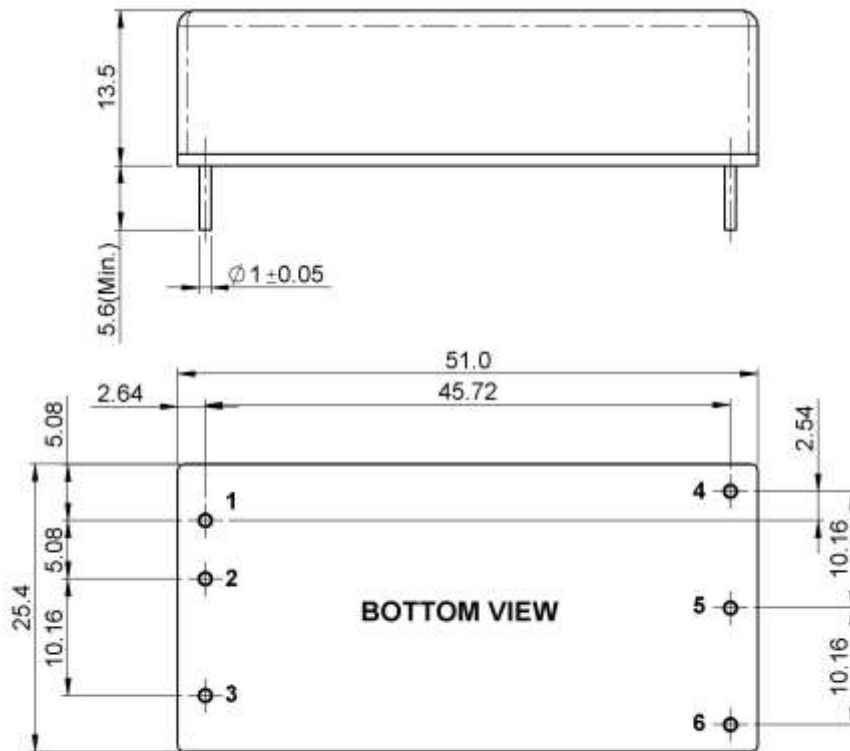
Part Number



98DW30- 24 S 05 R 3 NL
A B C D E F G

- A: Series**
- B: Input Voltage**
- C: Single Output**
- D: Output Voltage**
- E: Regulated(R)**
- F: Package**
- G: RoHs Version**

Outline Dimensions

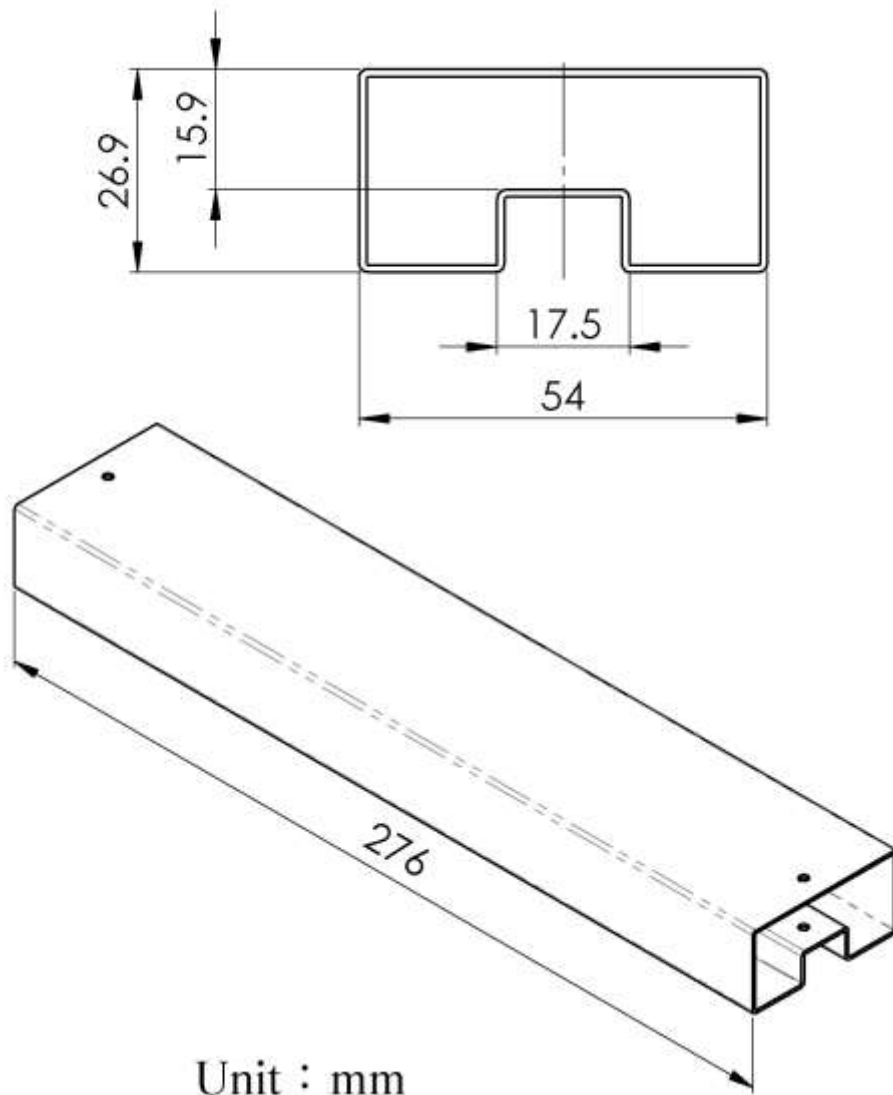


Unit : mm
 Tolerance : XX.X±0.5 , XX.XX±0.25

PIN Assignment

PIN	1	2	3	4	5	6
FUNCTION	+Vin	-Vin	Remote On/Off	+Vout	-Vout	Trim

Packing Formation



Unit : mm

Weight	: 40 grams/pcs
TUBE	: 10 pcs