

Features

- 30 WATT DIL PACKAGE
- 4:1 Wide Input Voltage Range
- EFFICIENCY TO 88%
- PI INPUT FILTER
- 100% BURNED IN
- UL 94V-0 PACKAGE MATERIAL
- CUSTOMIZED SOLUTIONS AVAILABLE
- REGULATED OUTPUT TYPE



**30 Watt DC/DC
Converter**

WIDE INPUT VOLTAGE RANGE

30 WATT DC-DC CONVERTER

Input Specifications

Input Voltage	:24Vdc	
Input Voltage Range	:9~36Vdc	
Remote ON/OFF	: Open or 3~12Vdc (DC/DC ON) : Short or 0~1.2Vdc (DC/DC OFF)	@Positive logic (Standard) (Refer to -Vin PIN) @Input current of Remote ON/OFF pin @Remote off input current
	: -0.5 ~ +0.5 mA :3 mA TYP	

Output Specifications

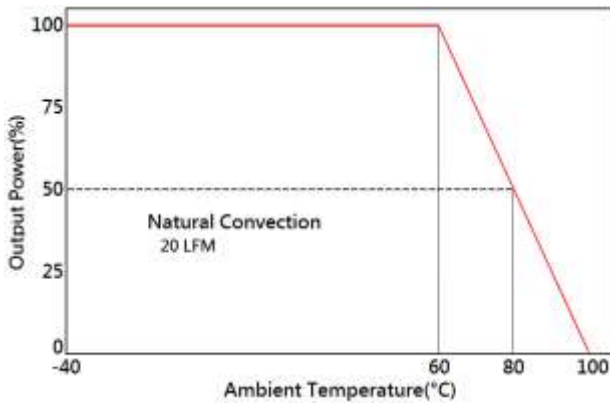
Output Voltage	:12Vdc	
Output Voltage Accuracy	: ±2%	@11.76~12.24Vdc @Vin=9~36Vdc
Output Current	:2500mA	
Efficiency	:88% TYP	@Vin=24Vdc
Ripple / Noise	:100mVp-p MAX	@20MHz Bandwidth
Short Circuit Protection	: Continuous	@Hiccup, auto-recovery
Line Regulation	: ±0.5% MAX	@Full Load
Load Regulation	: ±0.5% MAX	@25% TO 100% Load

General Specifications

Operating Temperature Range	: -40°C ~ +80°C (with derating)	Output load derate 2.5% per degree Celsius above 60°C as refer to temperature derating graph.
Storage Temperature	: -55°C ~ +125°C	
Switching Frequency	:250KHz TYP	
Humidity	:95% MAX	
Isolation Voltage	:3000Vdc	
Isolation Resistance	:1000MΩ MIN	
Cooling	: Natural Convection	@20LFM
MTBF	:>=1500000 Hours	MIL-HDBK-217F @25°C, Ground Benign.
Case Material	: Six-side shielded case	
Weight	:40g TYP	
Conducted Emission	: EN55022 Class A	
Radiated Emission	: EN55022 Class A	

Temperature Derating Graph

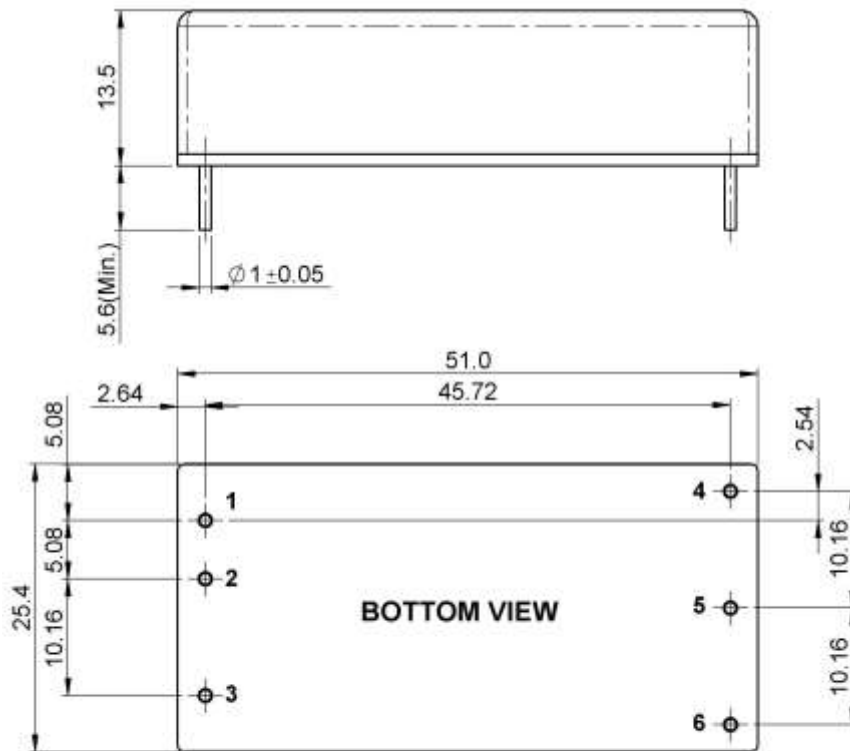
Part Number



98DW30- **24** **S** **12** **R** **3** **NL**
A **B** **C** **D** **E** **F** **G**

- A: Series**
- B: Input Voltage**
- C: Single Output**
- D: Output Voltage**
- E: Regulated(R)**
- F: Package**
- G: RoHs Version**

Outline Dimensions

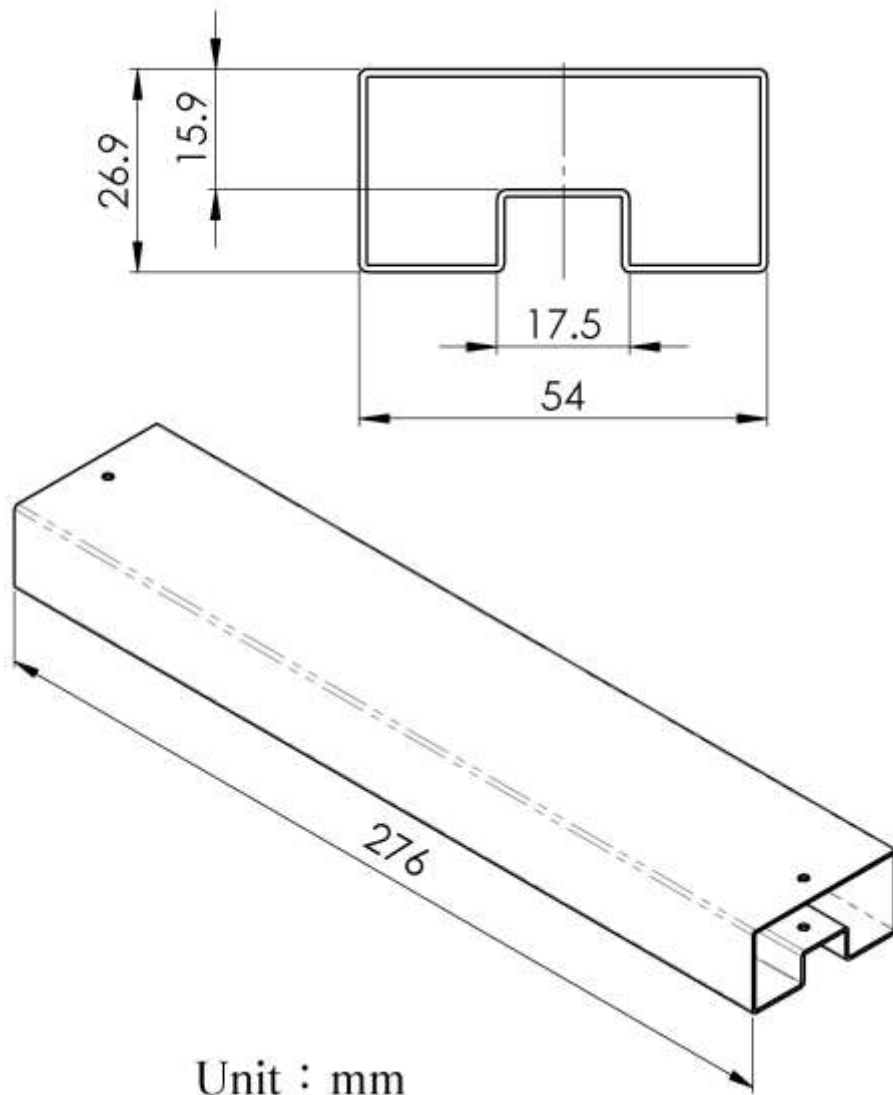


Unit : mm
 Tolerance : XX.X±0.5 , XX.XX±0.25

PIN Assignment

PIN	1	2	3	4	5	6
FUNCTION	+Vin	-Vin	Remote On/Off	+Vout	-Vout	Trim

Packing Formation



Unit : mm

Weight	: 40 grams/pcs
TUBE	: 10 pcs