

**Features**

- 30 WATT DIL PACKAGE
- 4:1 Wide Input Voltage Range
- EFFICIENCY TO 86%
- PI INPUT FILTER
- 100% BURNED IN
- UL 94V-0 PACKAGE MATERIAL
- CUSTOMIZED SOLUTIONS AVAILABLE
- REGULATED OUTPUT TYPE



**30 Watt DC/DC  
Converter**

WIDE INPUT VOLTAGE RANGE  
30 WATT DC-DC CONVERTER

**Input Specifications**

Input Voltage	:24Vdc
Input Voltage Range	:9~36Vdc

**Output Specifications**

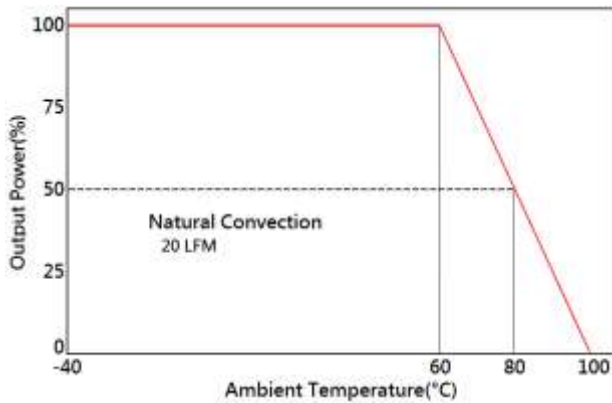
Output Voltage	:24Vdc	
Output Voltage Accuracy	:±2%	@23.52~24.48Vdc @Vin=9~36Vdc
Output Current	:1250mA	
Efficiency	:86% TYP	@Vin=24Vdc
Ripple / Noise	:100mVp-p MAX	@20MHz Bandwidth
Short Circuit Protection	:Continuous	@Hiccup, auto-recovery
Line Regulation	:±0.5% MAX	@Full Load
Load Regulation	:±0.5% MAX	@25% TO 100% Load

**General Specifications**

Operating Temperature Range	:-40°C ~ +80°C (with derating)	Output load derate 2.5% per degree Celsius above 60°C as refer to temperature derating graph.
Storage Temperature	:-55°C ~ +125°C	
Switching Frequency	:250KHz TYP	
Humidity	:95% MAX	
Isolation Voltage	:3000Vdc	
Isolation Resistance	:1000MΩ MIN	
Cooling	:Natural Convection	@20LFM
MTBF	:>=1500000 Hours	MIL-HDBK-217F@25°C,Ground Benign.
Case Material	:Six-side shielded case	
Weight	:40g TYP	
Conducted Emission	:EN55022 Class A	
Radiated Emission	:EN55022 Class A	

Temperature Derating Graph

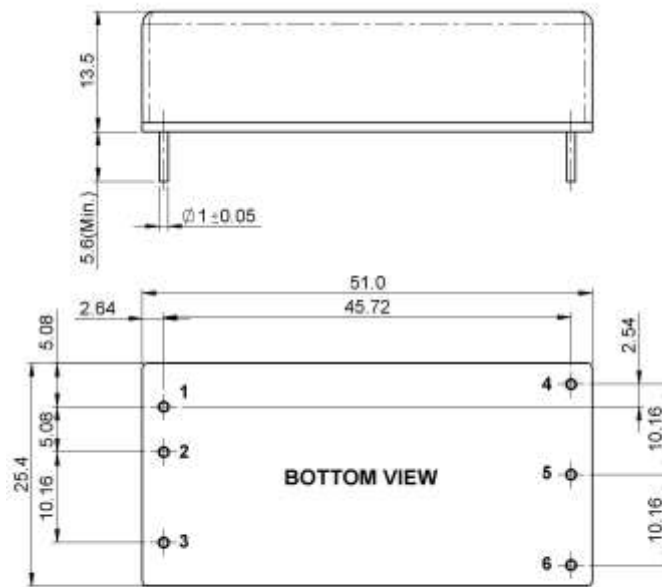
Part Number



**98DW30-** **24** **S** **24** **R** **3** **NL**  
**A** **B** **C** **D** **E** **F** **G**

- A: Series
- B: Input Voltage
- C: Single Output
- D: Output Voltage
- E: Regulated(R)
- F: Package
- G: RoHs Version

Outline Dimensions

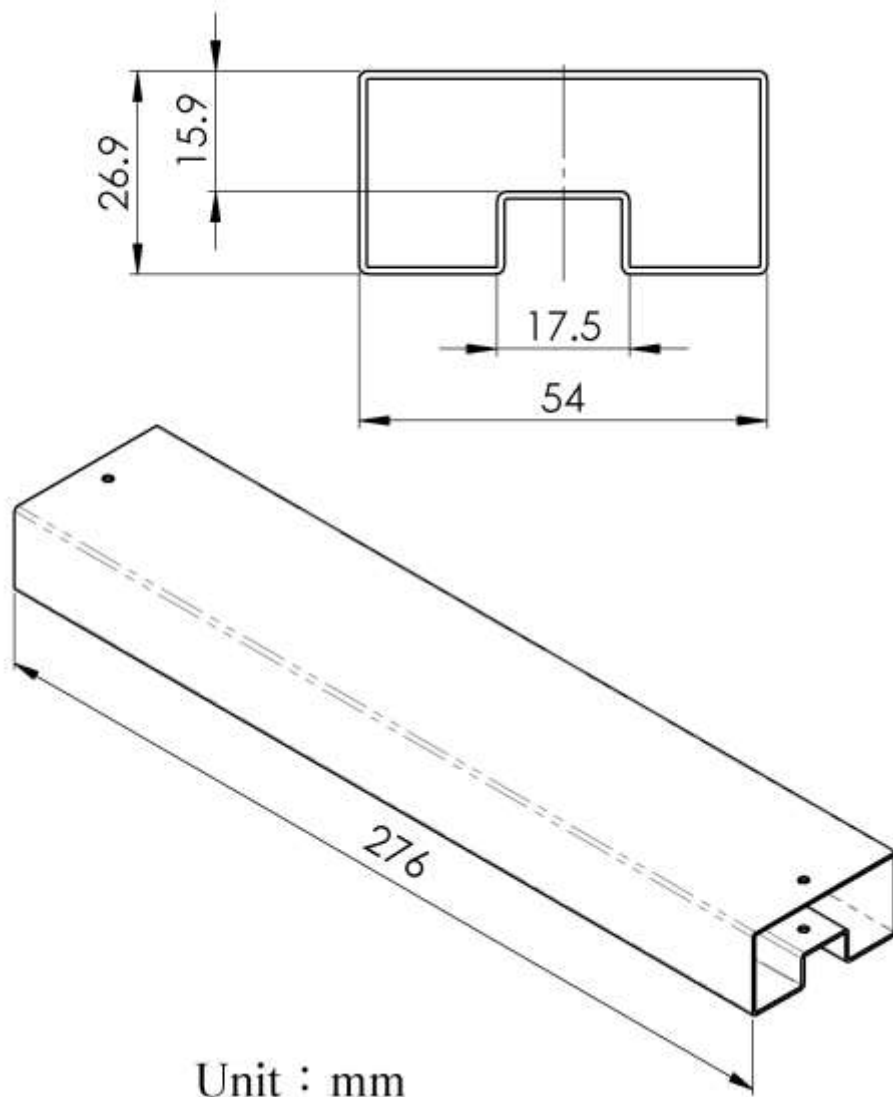


Unit : mm  
 Tolerance : XX.X ± 0.5 · XX.XX ± 0.25

PIN Assignment

PIN	1	2	3	4	5	6
FUNCTION	+Vin	-Vin	Remote On/Off	+Vout	-Vout	Trim

**Packing Formation**



Unit : mm

<b>Weight</b>	<b>: 40 grams/pcs</b>
<b>TUBE</b>	<b>: 10 pcs</b>