

Features

- 10 WATT DIL PACKAGE
- 4:1 WIDE INPUT VOLTAGE
- EFFICIENCY TO 89%
- PI INPUT FILTER
- 100% BURNED IN
- UL 94V-0 PACKAGE MATERIAL
- CUSTOMIZED SOLUTIONS AVAILABLE
- REGULATED OUTPUT TYPE



10 Watt DC/DC Converter

WIDE INPUT VOLTAGE RANGE
10 WATT DC-DC CONVERTER [®]

Input Specifications

Input Voltage	:5Vdc	
Input Voltage Range	:4.5~18Vdc	
Under voltage shutdown	:3.5Vdc Typ	
Remote ON/OFF	:Open or 3.5~12Vdc(DC/DC ON) :Short or 0~1.2Vdc(DC/DC OFF) :-0.5 ~ +0.5 mA :3.5 mA TYP	@Positive logic (Refer to -Vin PIN) @Input current of Ctrl pin @Remote off input current

Output Specifications

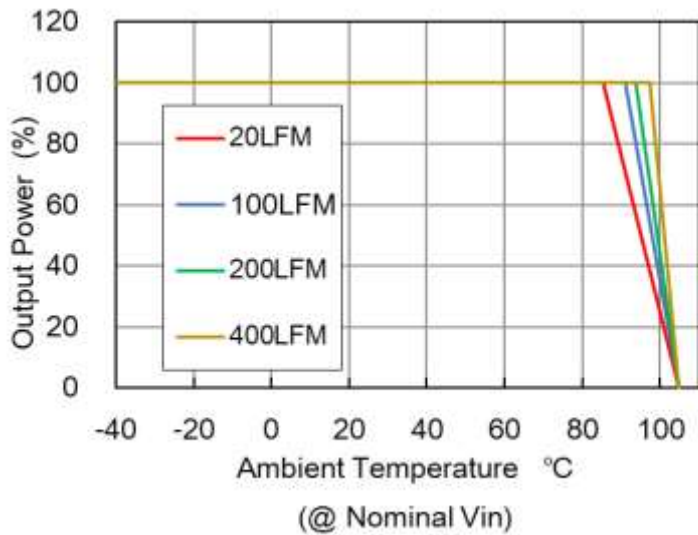
Output Voltage	:12Vdc	
Output Voltage Accuracy	:±2%	@11.76~12.24Vdc @Vin=4.5~18Vdc
Output Current	:833mA	
Efficiency	:89% TYP	@Vin=5Vdc
Ripple / Noise	:100mVp-p MAX	@20MHz Bandwidth,with an 0.47uF MLCC
Short Circuit Protection	:Continuous	@Hiccup, auto-recovery
Line Regulation	:±0.2% MAX	@LL TO HL ,Full Load
Load Regulation	:±0.5% MAX	@0%FL TO 100%FL
Start-up Time	:30ms TYP	@Constant Resistive Load, Nominal Vin
Temperature Coefficient	:0.02%/°C MAX	
Transient Response	:300µs TYP	@25% load step change
Capacitor Load	:590µF MAX.	

General Specifications

Operating Temperature Range	:-40°C ~ +85.5°C	Without derating@ Nominal Vin
Storage Temperature	:-55°C ~ +125°C	
Switching Frequency	:200KHz TYP	
Humidity	:95% MAX	
Isolation Voltage	:1600Vdc	
Isolation Resistance	:1000M Ω MIN	
Cooling	:Natural Convection	@20LFM
MTBF	:1,468,837 Hours TYP	MIL-HDBK-217F@25°C(Calculated)
Case Material	:Copper	
Weight	:17.2 g TYP	

Temperature Derating Graph

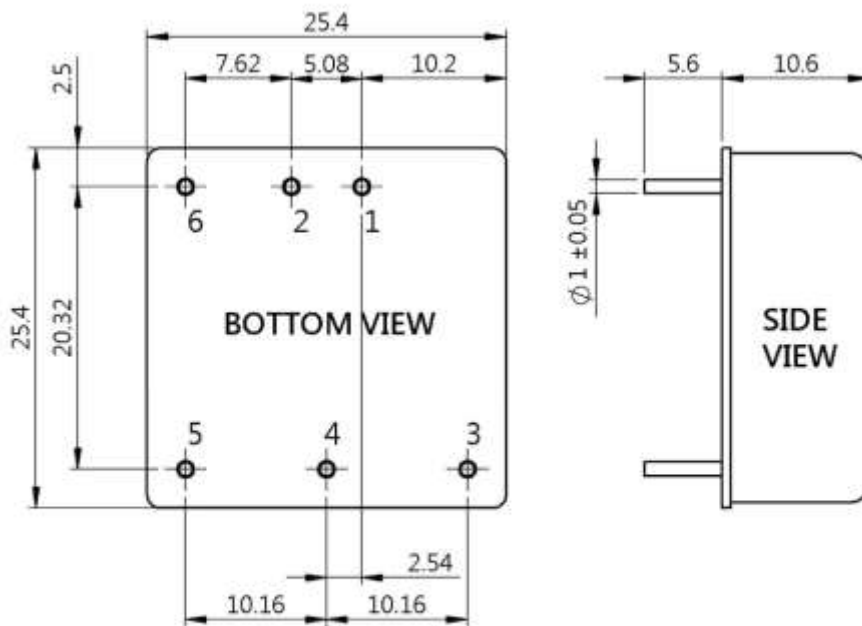
Part Number



YLB10- 05 S 12
A B C D

- A: Series**
- B: Input Voltage**
- C: Single(S)**
- D: Output Voltage**

Outline Dimensions

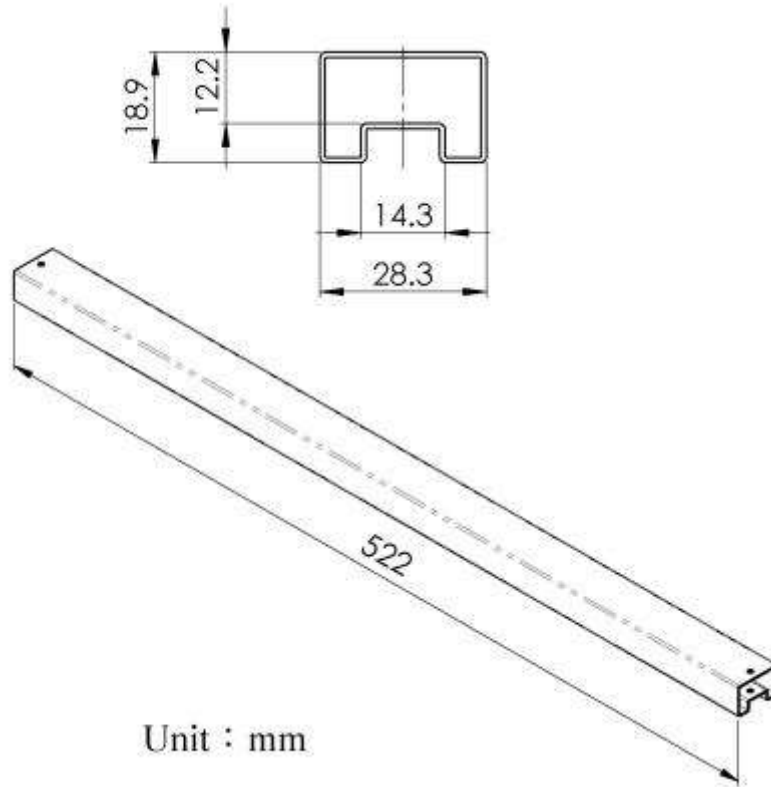


Unit : mm
 Tolerance : XX.X ±0.5 , XX.XX ±0.25

PIN Assignment

PIN	1	2	3	4	5	6
FUNCTION	+Vin	-Vin	+Vout	Trim	-Vout	Remote On/Off

Packing Formation



Unit : mm

Weight	: 17.2 grams/pcs
TUBE	: 19 pcs