

**Features**

- 10 WATT DIL PACKAGE
- 4:1 WIDE INPUT VOLTAGE
- EFFICIENCY TO 90%
- PI INPUT FILTER
- 100% BURNED IN
- UL 94V-0 PACKAGE MATERIAL
- CUSTOMIZED SOLUTIONS AVAILABLE
- REGULATED OUTPUT TYPE



**10 Watt DC/DC Converter**

WIDE INPUT VOLTAGE RANGE  
10 WATT DC-DC CONVERTER <sup>®</sup>

**Input Specifications**

Input Voltage	:5Vdc	
Input Voltage Range	:4.5~18Vdc	
Under voltage shutdown	:3.5Vdc Typ	
Remote ON/OFF	:Open or 3.5~12Vdc(DC/DC ON) :Short or 0~1.2Vdc(DC/DC OFF) :-0.5 ~ +0.5 mA :3.5 mA TYP	@Positive logic (Refer to -Vin PIN) @Input current of Ctrl pin @Remote off input current

**Output Specifications**

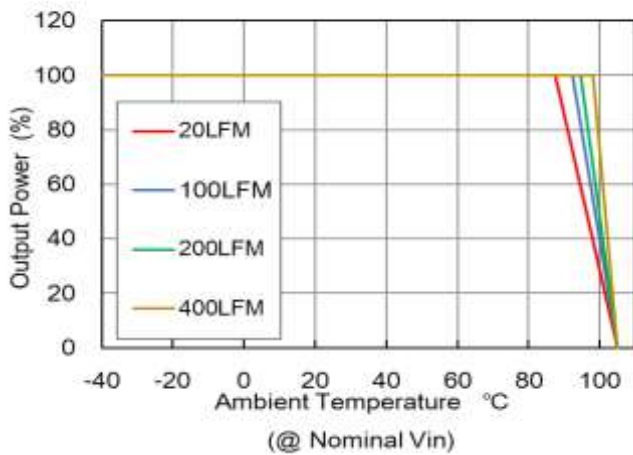
Output Voltage	:15Vdc	
Output Voltage Accuracy	:±2%	@14.7~15.3Vdc @Vin=4.5~18Vdc
Output Current	:667mA	
Efficiency	:90% TYP	@Vin=5Vdc
Ripple / Noise	:150mVp-p MAX	@20MHz Bandwidth,With an 0.47uF MLCC
Short Circuit Protection	:Continuous	@Hiccup, auto-recovery
Line Regulation	:±0.2% MAX	@LL TO HL ,Full Load
Load Regulation	:±0.5% MAX	@0%FL TO 100%FL
Start-up Time	:30ms TYP	@Constant Resistive Load, Nominal Vin
Temperature Coefficient	:0.02%/°C MAX	
Transient Response	:300µs TYP	@25% load step change
Capacitor Load	:390µF MAX.	

**General Specifications**

Operating Temperature Range	:-40°C ~ +87.4°C	Without derating@ Nominal Vin
Storage Temperature	:-55°C ~ +125°C	
Switching Frequency	:200KHz TYP	
Humidity	:95% MAX	
Isolation Voltage	:1600Vdc	
Isolation Resistance	:1000M Ω MIN	
Cooling	:Natural Convection	@20LFM
MTBF	:1,468,837 Hours TYP	MIL-HDBK-217F@25°C(Calculated)
Case Material	: Copper	
Weight	:17.2 g TYP	

Temperature Derating Graph

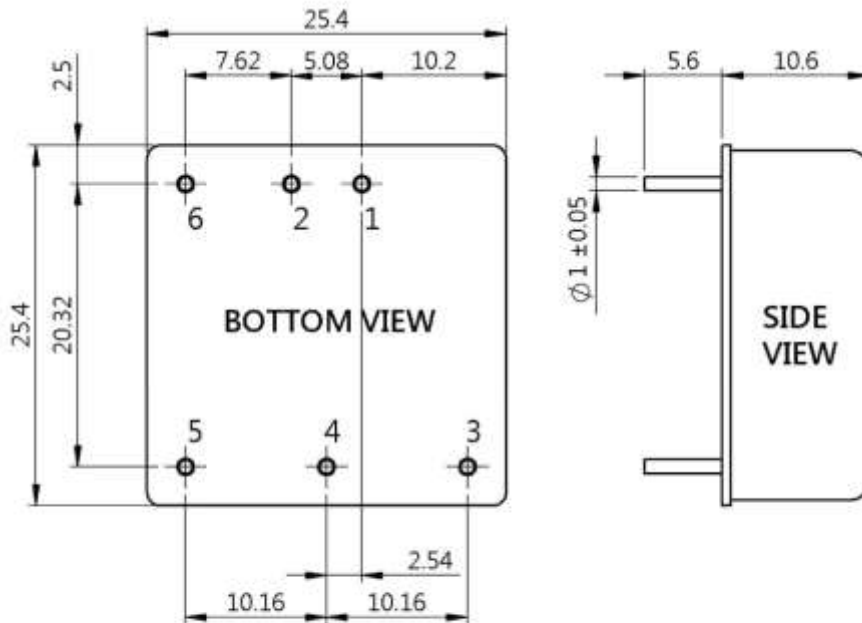
Part Number



**YLB10- 05 S 15**  
**A B C D**

- A: Series**
- B: Input Voltage**
- C: Single(S)**
- D: Output Voltage**

Outline Dimensions

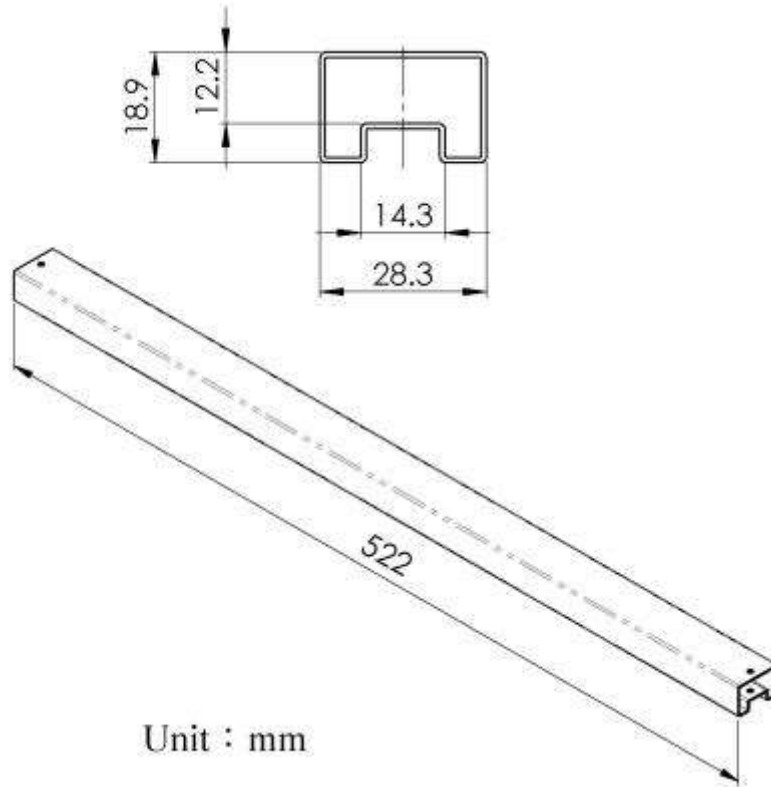


Unit : mm  
 Tolerance : XX.X ±0.5 , XX.XX ±0.25

PIN Assignment

PIN	1	2	3	4	5	6
FUNCTION	+Vin	-Vin	+Vout	Trim	-Vout	Remote On/Off

**Packing Formation**



<b>Weight</b>	<b>: 17.2 grams/pcs</b>
<b>TUBE</b>	<b>: 19 pcs</b>