

Features

- 60 WATT DIL PACKAGE
- 4:1 WIDE INPUT VOLTAGES
- EFFICIENCY UP TO 91%
- PI INPUT FILTER
- 100% BURNED IN
- UL 94V-0 PACKAGE MATERIAL
- CUSTOMIZED SOLUTIONS AVAILABLE
- REGULATED OUTPUT TYPE



60 Watt DC/DC Converter

WIDE INPUT VOLTAGE RANGE
60 WATT DC-DC CONVERTER  **US**

Input Specifications

Input Voltage	:24Vdc	
Input Voltage Range	:9~36Vdc	@100ms Max.
Input Surge Voltage	:50Vdc Max.	
Start-up Voltage	:9Vdc Max.	
Under Voltage Shutdown	:7.5Vdc Typ.	@Power-up & Remote
Start-up Time (constant resistive load)	:30ms Typ.	
Input Filter	:Internal PI Type	@Positive logic (Refer to –
Remote ON/OFF	:Open or 3.5~12Vdc(DC/DC ON) :Short or 0~1.2Vdc(DC/DC OFF) :-0.5 ~ +0.5mA :3mA Typ.	Vin Pin) @Input Current of Remote On/Off Pin @Remote Off Input Current

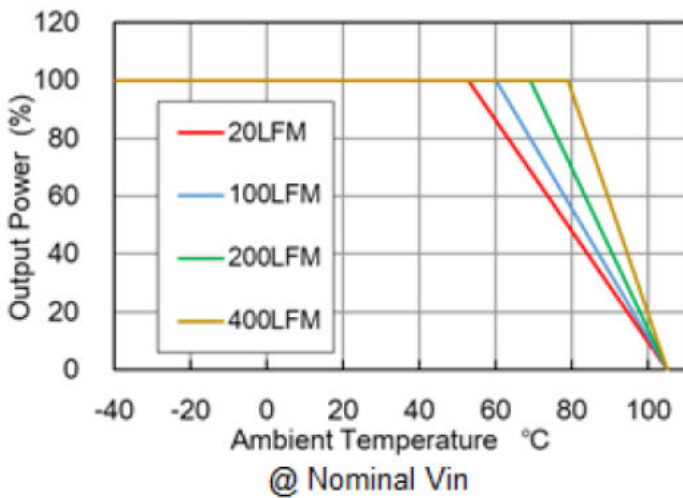
Output Specifications

Output Voltage	:5Vdc	
Output Voltage Accuracy	:±2%	@4.9~5.1Vdc @Vin=9~36V
Output Current	:12000mA	
Efficiency	:91% Typ.	@Vin=24Vdc
Ripple & Noise	:100mVp-p Max.	@20MHz Bandwidth · with 1uF*1 MLCC and 10uF*1 TC
Output Power Protection	:180% Max.	@Hiccup, auto-recovery
Over Voltage Protection	:6.2Vdc Typ.	
Short Circuit Protection	:Continuous	@Hiccup, auto-recovery
Line Regulation	:±0.2% Max.	@Full Load
Load Regulation	:±0.5% Max.	@0% TO 100% Load
Voltage adjustability	:±10% Max.	
Temperature Coefficient	:±0.02%/°C Max.	
Transient Response Setting Time	:350us Typ.	@25% Load Step Change
Transient Response Deviation	:±5% Max.	@25% Load Step Change

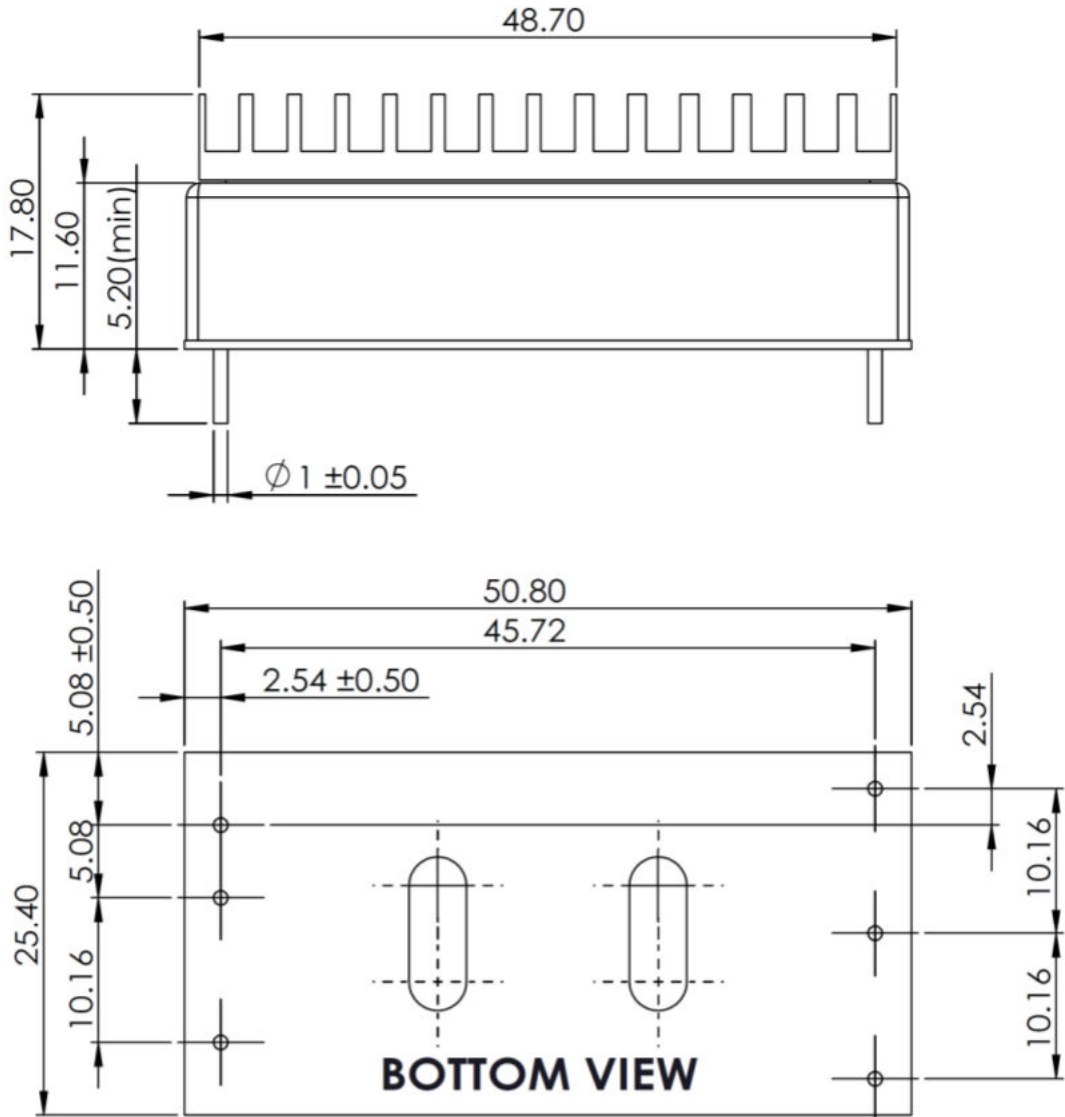
General Specifications

Operating Temperature Range	: -40°C ~ +56.9°C	Without derating@ Nominal Vin
Operating Case Temperature	: +105°C Max.	
Over Temperature Protection	: +115°C Typ.	@Case Temperature
Storage Temperature	: -55°C ~ +125°C	
Switching Frequency	: 280KHz Typ.	
Humidity	: 95% Max.	@Non Condensing
Isolation Voltage	: 1600VDC	@Input To Output
	: 1000VDC	@Input(Output) To Case
Isolation Resistance	: 1000M Ω Min.	@500Vdc
Isolation Capacitance	: 2200pF Max.	
Cooling	: Natural Convection	@20LFM
Case Material	: Copper	
Potting material	: Silicone (UL94-V0)	
MTBF	: 2.59x10 ⁵ Hours	MIL-HDBK-217F@25°C
Weight	: 54.6g Typ.	

Temperature Derating Graph



Outline Dimensions

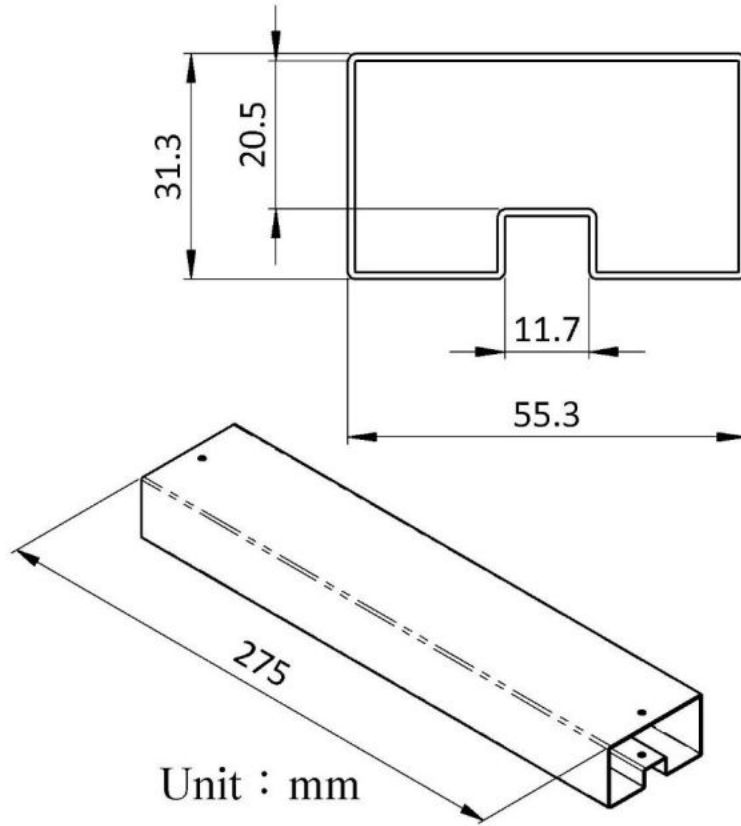


Unit : mm
 Tolerance : XX.X±0.5 , XX.XX±0.25

PIN Assignment

PIN	1	2	3	4	5	6
FUNCTION	+Vin	-Vin	Remote On/Off	+Vout	-Vout	Trim

Packing Formation



Weight	: 54.6 grams/pcs.
Tube	: 10 pcs.