

**Features**

- 10 WATT DIL PACKAGE
- 4:1 WIDE INPUT VOLTAGE
- EFFICIENCY TO 88%
- 100% BURNED IN
- UL 94V-0 PACKAGE MATERIAL
- CUSTOMIZED SOLUTIONS AVAILABLE



10 Watt DC/DC Converter

WIDE INPUT VOLTAGE RANGE  
10 WATT DC-DC CONVERTER



**Input Specifications**

Input Voltage	:24Vdc
Input Voltage Range	:9~36Vdc

**Output Specifications**

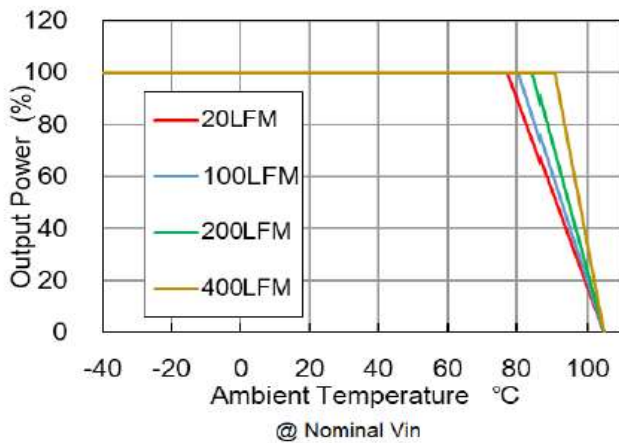
Output Voltage	: ±15Vdc	
Output Voltage Accuracy	:±2%	@±14.7~±15.3Vdc @Vin=9~36Vdc
Output Current	: ±333mA	
Efficiency	:88% TYP	@Vin=24Vdc
Ripple / Noise	:100mVp-p MAX	@20MHz Bandwidth
Short Circuit Protection	:Continuous	@Hiccup, auto-recovery
Line Regulation	:±0.5% MAX	@Full Load
Load Regulation	:±0.5% MAX	@0% TO 100% load

**General Specifications**

Operating Temperature Range	: -40°C ~ +77°C (without derating)	@ Nominal Vin
Storage Temperature	: -55°C ~ +125°C	
Switching Frequency	:390KHz TYP	
Humidity	:95% MAX	
Isolation Voltage	:1600Vdc	
Isolation Resistance	:1000M Ω MIN	
Cooling	:Natural Convection	@20LFM
MTBF	: 1100000 Hours	MIL-HDBK-217F@25°C (calculated)
Case Material	:Copper	
Weight	:10g TYP	

Temperature Derating Graph

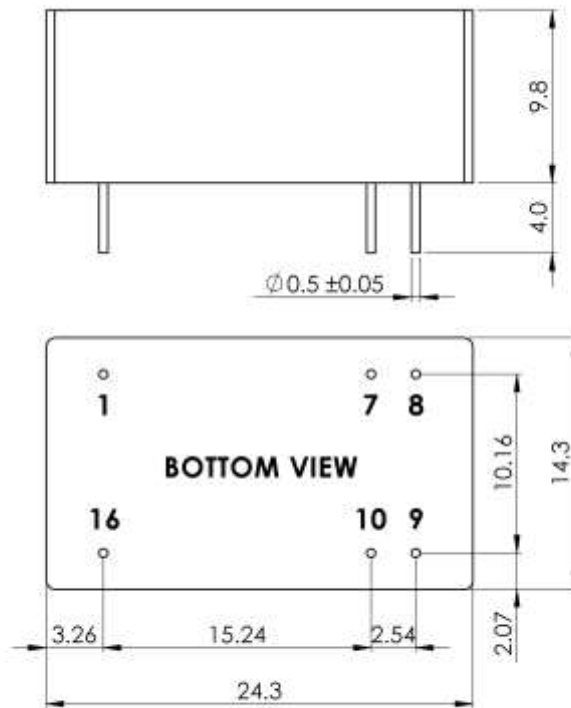
Part Number



**YTB10-** **24** **D** **15**  
**A** **B** **C** **D**

**A: Series**  
**B: Input Voltage**  
**C: Dual Output**  
**D: Output Voltage**

Outline Dimensions

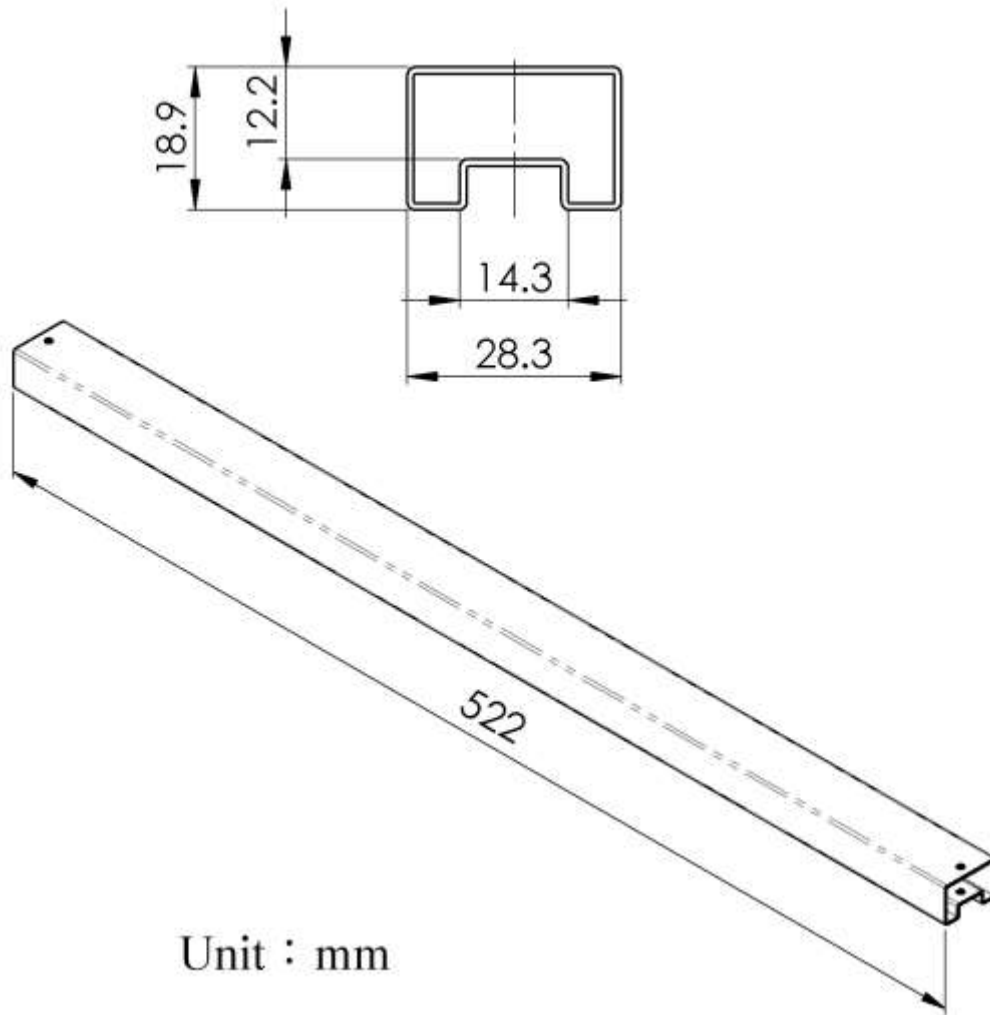


Unit : mm  
 Tolerance : XX.X  $\pm$  0.5 , XX.XX  $\pm$  0.25

PIN Assignment

<b>PIN</b>	1	7	8	9	10	16
<b>FUNCTION</b>	-Vin	NC	Com	+ Vout	-Vout	+Vin

**Packing Formation**



<b>Weight</b>	<b>: 10 grams/pcs</b>
<b>TUBE</b>	<b>: 35 pcs</b>