

Features

- 10 WATT DIL PACKAGE
- 4:1 WIDE INPUT VOLTAGE
- EFFICIENCY TO 87%
- 100% BURNED IN
- UL 94V-0 PACKAGE MATERIAL
- CUSTOMIZED SOLUTIONS AVAILABLE



10 Watt DC/DC Converter

WIDE INPUT VOLTAGE RANGE
10 WATT DC-DC CONVERTER

Input Specifications

Input Voltage	:24Vdc
Input Voltage Range	:9~36Vdc

Output Specifications

Output Voltage	:12Vdc	
Output Voltage Accuracy	:±2%	@11.76~12.24Vdc @Vin=9~36Vdc
Output Current	:833mA	
Efficiency	:87% TYP	@Vin=24Vdc
Ripple / Noise	:100mVp-p MAX	@20MHz Bandwidth
Short Circuit Protection	:Continuous	@Hiccup, auto-recovery
Line Regulation	:±0.5% MAX	@Full Load
Load Regulation	:±0.5% MAX	@0% TO 100% load

General Specifications

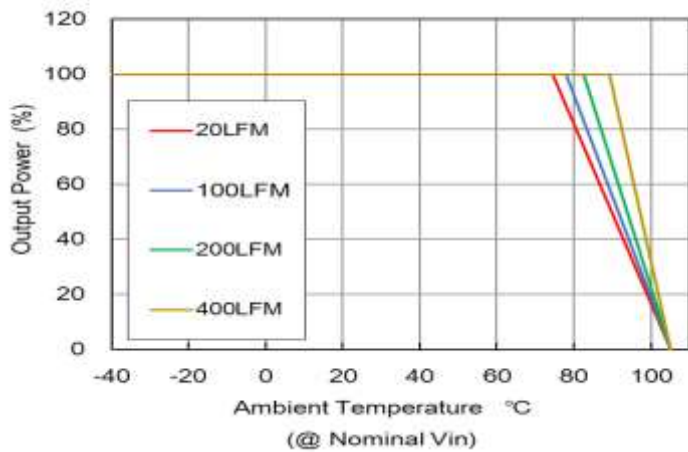
Operating Temperature Range	: -40°C ~ +74°C (with derating)	@ Nominal Vin
Storage Temperature	: -55°C ~ +125°C	
Switching Frequency	:390KHz TYP	
Humidity	:95% MAX	
Isolation Voltage	:1600Vdc	
Isolation Resistance	:1000M Ω MIN	
Cooling	:Natural Convection	@20LFM
MTBF	: 1100000 Hours	MIL-HDBK-217F@25°C (calculated)
Case Material	:Copper	
Weight	:10g TYP	

Temperature Derating Graph

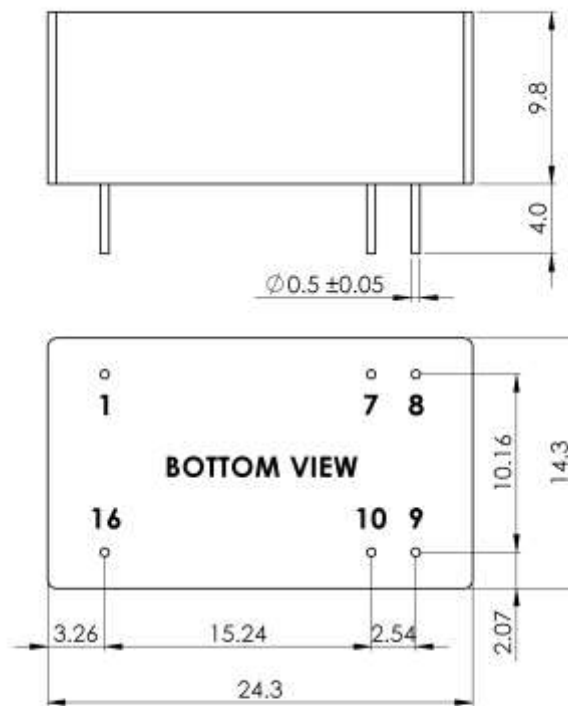
Part Number

YTB10- **24** **S** **12**
A **B** **C** **D**

A: Series
B: Input Voltage
C: Single Output
D: Output Voltage



Outline Dimensions

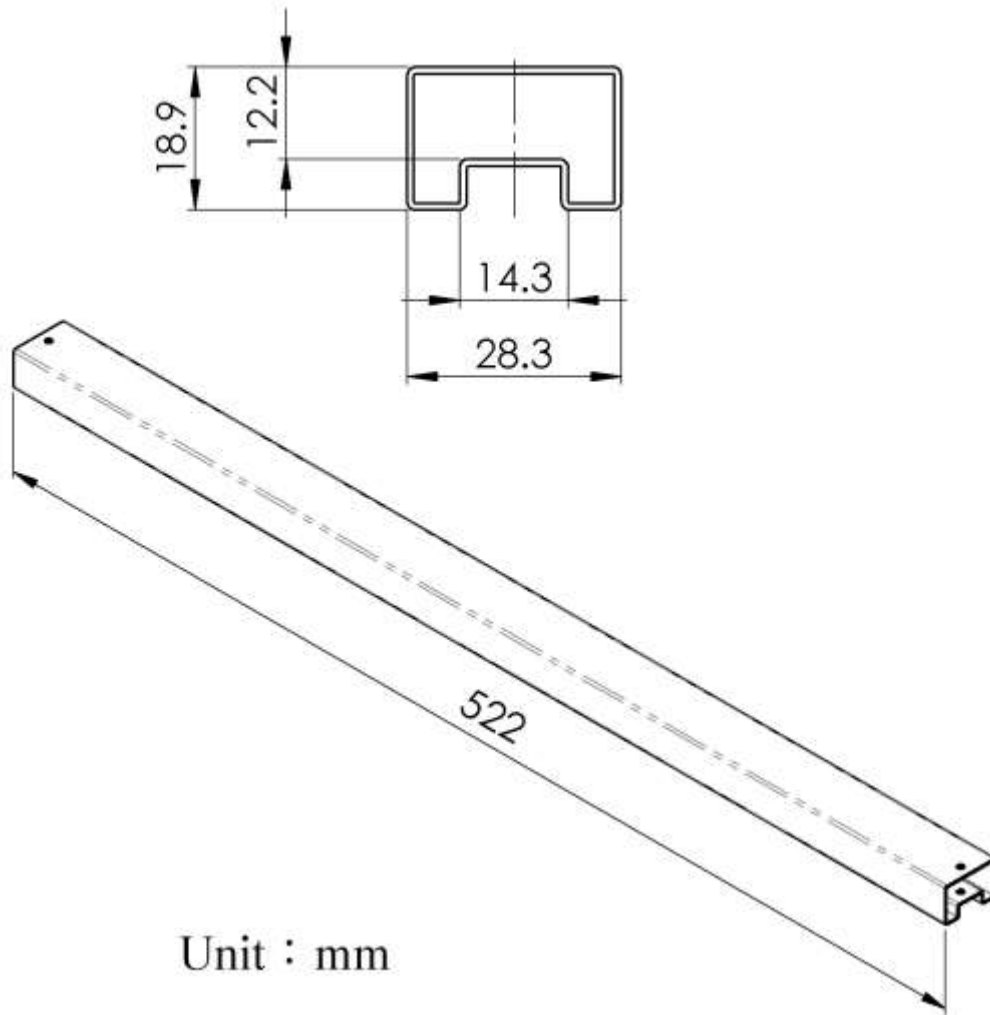


Unit : mm
 Tolerance : XX.X ±0.5 , XX.XX ±0.25

PIN Assignment

PIN	1	7	8	9	10	16
FUNCTION	-Vin	NC	NC	+ Vout	-Vout	+Vin

Packing Formation



Weight	: 10 grams/pcs
TUBE	: 35 pcs