

Features

- 15 WATT DIL PACKAGE
- 4:1 WIDE INPUT VOLTAGE
- EFFICIENCY TO 89%
- 100% BURNED IN
- UL 94V-0 PACKAGE MATERIAL
- CUSTOMIZED SOLUTIONS AVAILABLE



15 Watt DC/DC Converter

WIDE INPUT VOLTAGE RANGE
15 WATT DC-DC CONVERTER



Input Specifications

Input Voltage	:24Vdc
Input Voltage Range	:9~36Vdc

Output Specifications

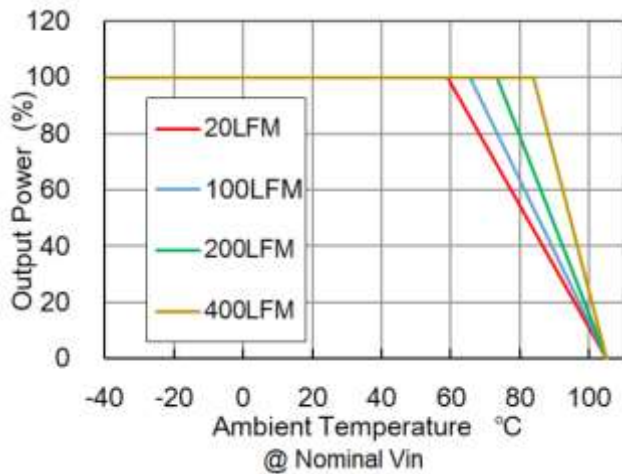
Output Voltage	: ±15Vdc	
Output Voltage Accuracy	: ±2%	@±14.7~±15.3Vdc @Vin=9~36Vdc
Output Current	: ±500mA	
Efficiency	: 89% TYP	@ Vin=24Vdc
Ripple / Noise	: 100mVp-p MAX	@20MHz Bandwidth
Short Circuit Protection	: Continuous	@Hiccup, auto-recovery
Line Regulation	: ±0.5% MAX	@ Full Load
Load Regulation	: ±0.5% MAX	@0% TO 100% load

General Specifications

Operating Temperature Range	: -40°C ~ +59.2°C	without derating @ Nominal Vin
Storage Temperature	: -55°C ~ +125°C	
Switching Frequency	: 390KHz TYP	
Humidity	: 95% MAX	
Isolation Voltage	: 1600Vdc	
Isolation Resistance	: 1000M Ω MIN	
Cooling	: Natural Convection	@20LFM
MTBF	: 705000 Hours	MIL-HDBK-217F@25°C (calculated)
Case Material	: Copper	
Weight	: 11g TYP	

Temperature Derating Graph

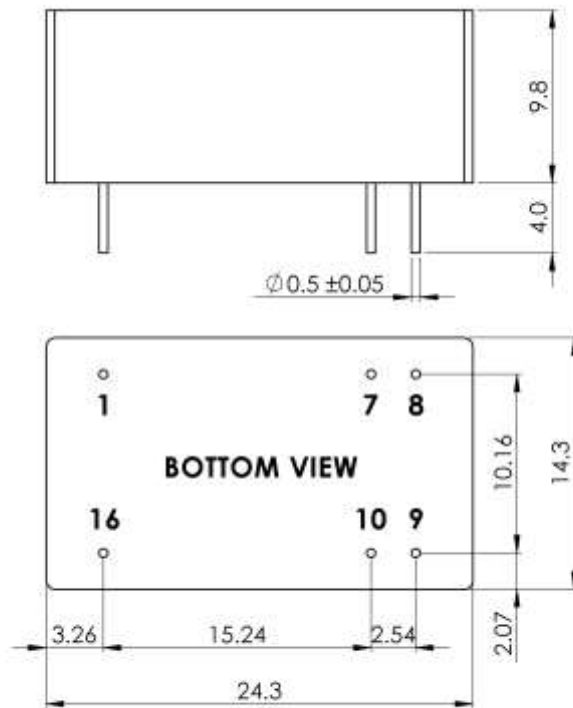
Part Number



YTB15- **24** **D** **15**
A **B** **C** **D**

A: Series
B: Input Voltage
C: Dual Output
D: Output Voltage

Outline Dimensions

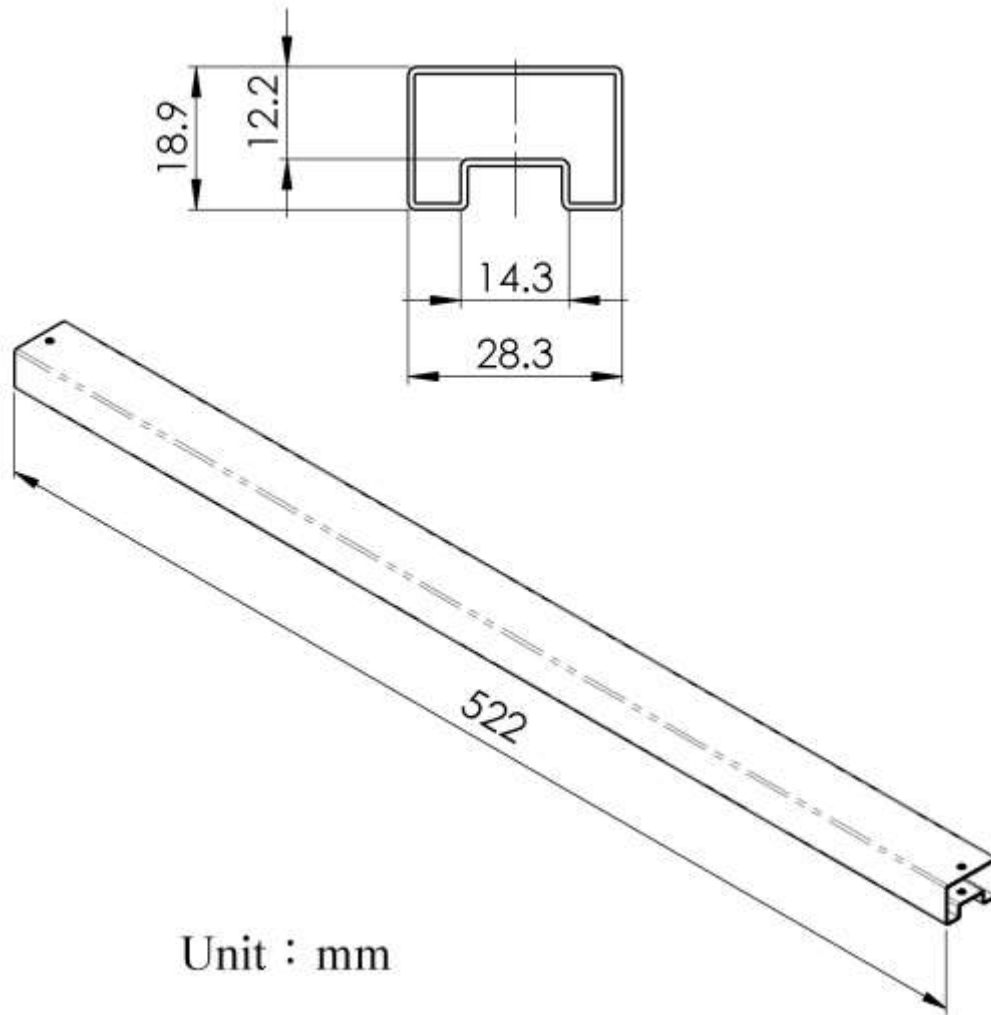


Unit : mm
 Tolerance : XX.X ±0.5 · XX.XX ±0.25

PIN Assignment

PIN	1	7	8	9	10	16
FUNCTION	-Vin	NC	Com	+ Vout	-Vout	+Vin

Packing Formation



Weight	: 11 grams/pcs
TUBE	: 35 pcs