

Features

- 15 WATT DIL PACKAGE
- 4:1 WIDE INPUT VOLTAGE
- EFFICIENCY TO 89%
- 100% BURNED IN
- UL 94V-0 PACKAGE MATERIAL
- CUSTOMIZED SOLUTIONS AVAILABLE



15 Watt DC/DC Converter

WIDE INPUT VOLTAGE RANGE
15 WATT DC-DC CONVERTER



Input Specifications

| | |
|---------------------|-----------|
| Input Voltage | :48Vdc |
| Input Voltage Range | :18~75Vdc |

Output Specifications

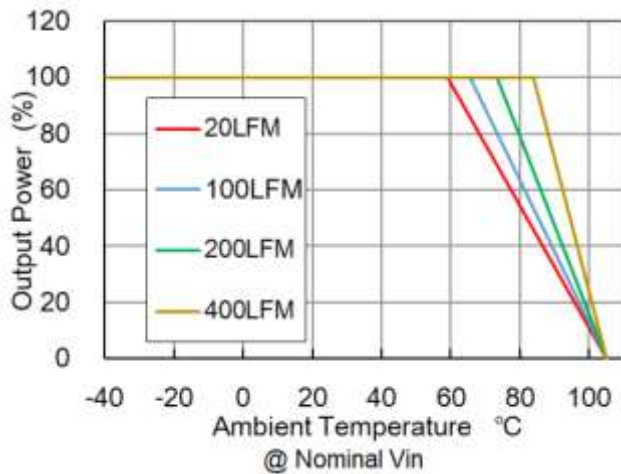
| | | |
|--------------------------|---------------|---------------------------------|
| Output Voltage | : ±12Vdc | |
| Output Voltage Accuracy | :±2% | @±11.76~±12.24Vdc @Vin=18~75Vdc |
| Output Current | : ±625mA | |
| Efficiency | :89% TYP | @ Vin=48Vdc |
| Ripple / Noise | :100mVp-p MAX | @20MHz Bandwidth |
| Short Circuit Protection | :Continuous | @Hiccup, auto-recovery |
| Line Regulation | :±0.5% MAX | @Full Load |
| Load Regulation | :±0.5% MAX | @0% TO 100% load |

General Specifications

| | | |
|-----------------------------|---------------------|---------------------------------|
| Operating Temperature Range | : -40°C ~ +59.2°C | without derating @ Nominal Vin |
| Storage Temperature | : -55°C ~ +125°C | |
| Switching Frequency | :390KHz TYP | |
| Humidity | :95% MAX | |
| Isolation Voltage | :1600Vdc | |
| Isolation Resistance | :1000M Ω MIN | |
| Cooling | :Natural Convection | @20LFM |
| MTBF | :705000 Hours | MIL-HDBK-217F@25°C (calculated) |
| Case Material | :Copper | |
| Weight | :11g TYP | |

Temperature Derating Graph

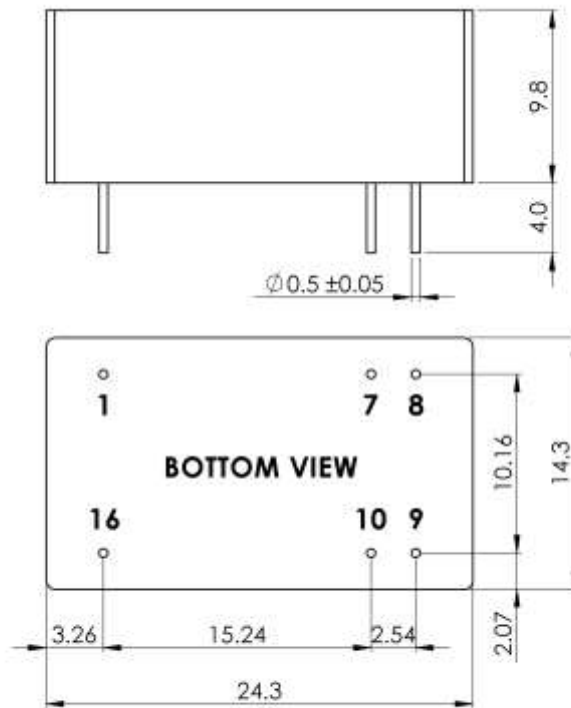
Part Number



YTB15- **48** **D** **12**
A **B** **C** **D**

- A: Series**
- B: Input Voltage**
- C: Dual Output**
- D: Output Voltage**

Outline Dimensions

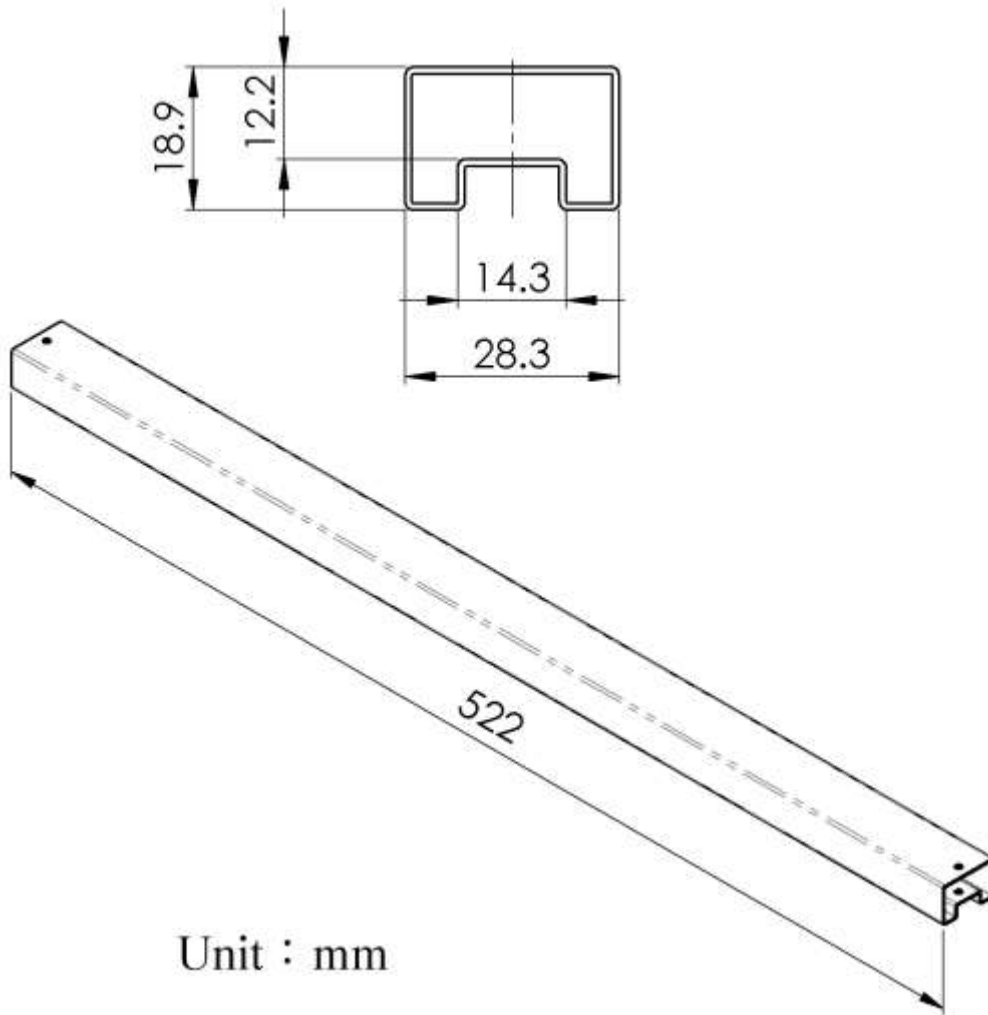


Unit : mm
 Tolerance : XX.X \pm 0.5 , XX.XX \pm 0.25

PIN Assignment

| PIN | 1 | 7 | 8 | 9 | 10 | 16 |
|----------|------|----|-----|--------|-------|------|
| FUNCTION | -Vin | NC | Com | + Vout | -Vout | +Vin |

Packing Formation



| | |
|---------------|-----------------------|
| Weight | : 11 grams/pcs |
| TUBE | : 35 pcs |